

Link-Belt
EXCAVATORS

300 X4S

SPEC SHEET (PRELIMINARY)



300 X4S SPECIFICATIONS

SAE Net Horsepower
253 hp (189 kW)

Operating Weight
67,700 lbs (30,700 kg)

Swing Torque
67,900 lbf-ft (92.1 kNm)



ENGINE

Engine	Isuzu AQ-6HK1X Final Tier 4 turbocharged diesel engine
SAE J 1349 net horsepower	253 HP (189 kW) @ 1900 min-1 (rpm)
Displacement	475 cu in (7.79 L)
Maximum Torque	711 lbf-ft (964 N-m) @ 1500 min-1 (rpm)
Starter	24 V - 5.0 kW
Alternator	90 amp
Voltage	24 V

HYDRAULIC SYSTEM

Hydraulic Pumps

Pump Output	2 x 67.6 gpm (256 L/min)
Pilot Pump Maximum Flow	7.5 gpm (28.5 L/min)

Relief Valve Settings

Boom Up / Arm / Bucket	4,970 psi (34.3 MPa)
in Power Boost	5,410 psi (37.3 MPa)
Swing Circuit	4,410 psi (30.4 MPa)
Travel Circuit	4,970 psi (34.3 MPa)

Hydraulic Cylinders

Number of Cylinders - Bore x Stroke

Boom	2 - 5.5" x 53.9" (140 mm x 1369 mm)
Arm	5.9" x 65.0" (150 mm x 1650 mm)
Bucket	5.3" x 42.4" (135 mm x 1078 mm)

SWING

Swing Speed	10.0 rpm
Tail Swing	10' 10" (3.29 m)
Swing Torque	67,900 lbf-ft (92.1 kNm)

300 X4S SPECIFICATIONS

UNDERCARRIAGE

Carrier Rollers	2 per Side
Track Rollers	8 per Side
Track Link Pitch	8" (203 mm)
Shoes	50 per Side
Shoe Width	31.5" (800 mm)
Ground Pressure	6.4 psi (0.044 MPa)

TRAVEL SYSTEM

Travel Speeds	2.0 - 3.3 mph (3.2 - 5.3 km/h)
Drawbar Pull	55,500 lbf (247 kN)
Gradeability	70% (35°)

ATTACHMENT

HD Boom	20' 2" (6.15 m)
Available Arms	Digging Force
10' 5" (3.18 m)	28,870 lbf (128.4 kN)
with Auto Power Boost	31,380 lbf (139.6 kN)
8' 8" (2.65 m)	33,050 lbf (147.0 kN)
with Auto Power Boost	35,950 lbf (159.9 kN)
12' 0" (3.66 m)	25,700 lbf (114.3 kN)
with Auto Power Boost	27,940 lbf (124.3 kN)
Bucket Digging Force	39,340 lbf (175.0 kN)
with Auto Power Boost	42,780 lbf (190.3 kN)

LUBRICANT AND COOLANT CAPACITY

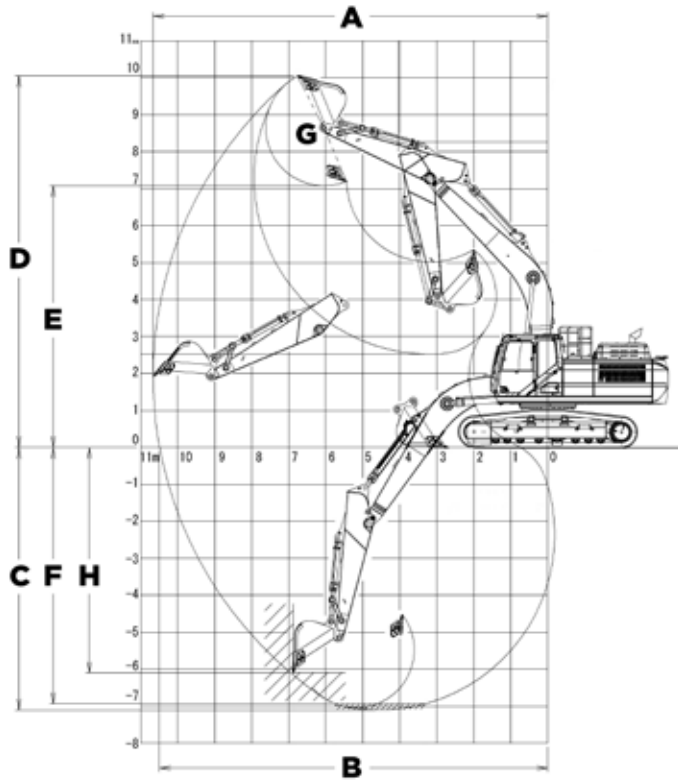
Fuel Tank	126 Gallons (478 Liters)
Hydraulic System	83 Gallons (315 Liters)
Hydraulic Tank	46 Gallons (173 Liters)
Final Drive (per side)	2.5 Gallons (9.5 Liters)
Swing Drive	1.3 Gallons (5.0 Liters)
Engine Oil	10.3 Gallons (38.9 Liters)
DEF Tank	22 Gallons (84 Liters)
Coolant System	12.5 Gallons (47.3 Liters)

OPERATING WEIGHT

Working weight with 31.5" (800 mm) shoes, 20' 2" (6.15 m) boom, 10' 5" (3.18 m) arm, 1,940 lbs (880 kg) bucket, 10,800 lbs (4,900 kg) counterweight	67,700 lbs (30,700 kg)
--	------------------------

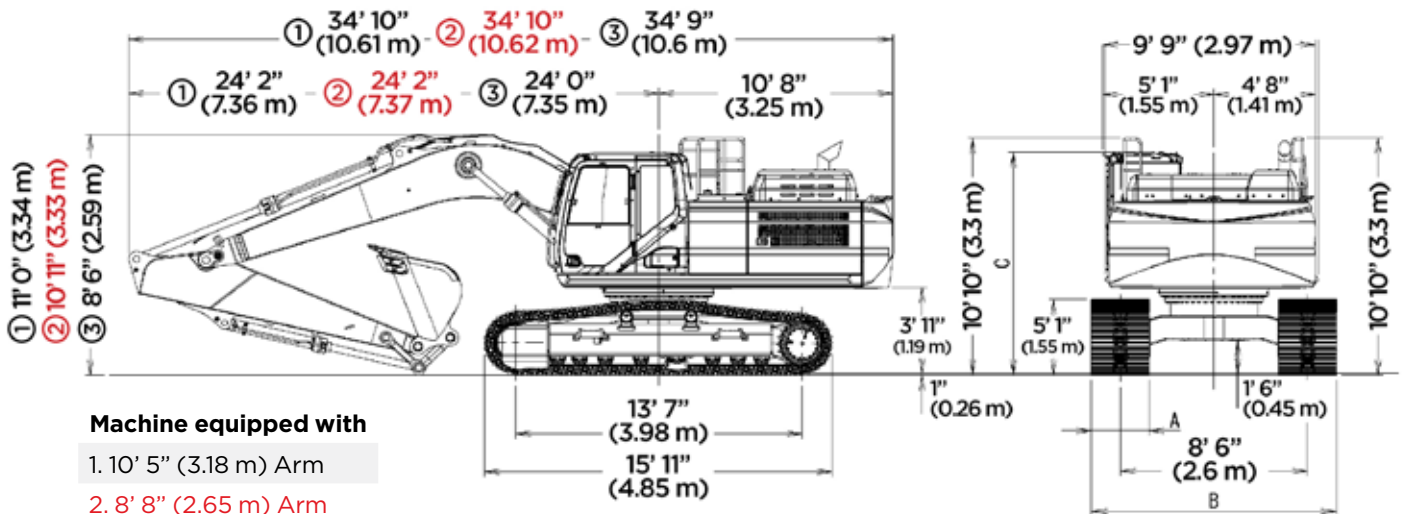
300 X4S SPECIFICATIONS

WORKING RANGE



Machine Equipped with 20' 2" (6.15 m) Boom	Arm 10' 5" (3.18 m)	Arm 8' 8" (2.65 m)	Arm 12' 0" (3.66 m)
A. Maximum reach	35' 0" (10.67 m)	33' 6" (9.82 m)	36' 7" (10.79 m)
B. Maximum reach @ ground level	34' 5" (10.49 m)	32' 11" (10.03 m)	36' 0" (10.98 m)
C. Maximum dig depth	23' 4" (7.10 m)	21' 7" (6.57 m)	24' 10" (7.58 m)
D. Maximum dig height	32' 11" (10.05 m)	32' 7" (9.93 m)	34' 1" (10.39 m)
E. Maximum dump height	23' 3" (7.08 m)	22' 9" (6.39 m)	24' 3" (7.39 m)
F. Digging depth 8' (2.44 m) level bottom	22' 9" (6.94 m)	20' 11" (6.39 m)	24' 5" (7.44 m)
G. Bucket rotation	176°	176°	176°
H. Maximum vertical wall depth	20' 0" (6.10 m)	18' 10" (5.75 m)	22' 00" (6.71 m)

TRAVEL DIMENSIONS



Machine equipped with

- 1. 10' 5" (3.18 m) Arm
- 2. 8' 8" (2.65 m) Arm
- 3. 12' 0" (3.66 m) Arm



Undercarriage	STD	OPTION	
A. Shoe Width	31.5" (800 mm)	23.6" (600 mm)	27.5" (700 mm)
B. Overall Width	11' 2" (3.39 m)	10' 6" (3.19 m)	10' 10" (3.29 m)

Cab Specification	C: Cab Height
STD. (No Equipment)	10' 2" (3.10 m)
With Head Guard	10' 7" (3.21 m)
With Vandal Cover	10' 7" (3.21 m)
With Head Guard & Vandal Cover	10' 10" (3.30 m)



300 X4S SPECIFICATIONS

LIFT CAPACITIES - RADIUS OF LOAD*

10' 5" (3.18 M) ARM WITH 20' 2" (6.15 M) BOOM WITH POWER-BOOST APPLIED

		5' 0" (1.5 m)		10' 0" (3.0 m)		15' 0" (4.5 m)		20' 0" (6.0 m)		25' 0" (7.5 m)		30' 0" (9.0 m)		Cap at Max. Reach	
 End	 Side	End	Side	End	Side	End	Side	End	Side	End	Side	End	Side	End	Side
25' 0" (7.5m)	lbs													13,150*	13,150*
	kg													5,960*	5,960*
20' 0" (6.0m)	lbs									16,500*	13,400			12,550*	12,150
	kg									7,480*	6,075			5,690*	5,510
15' 0" (4.5m)	lbs							19,950*	18,500	17,850*	13,150			12,550*	10,600
	kg							9,045*	8,390	8,095*	5,960			5,690*	4,805
10' 0" (3.0m)	lbs					29,900*	26,850	22,750*	17,600	18,950	12,700			12,950*	9,800
	kg					13,560	12,175	10,315*	7,980	8,595	5,760			5,870*	4,445
5' 0" (1.5m)	lbs					34,900*	25,150	25,400*	16,750	18,450	12,250			13,850*	9,500
	kg					15,830	11,405	11,520*	7,595	8,365	5,555			6,280*	4,305
Ground Line	lbs					36,850*	24,250	25,200	16,150	18,050	11,900			14,500	9,650
	kg					16,710	10,995	11,430	7,325	8,185	5,395			6,575	4,375
-5' 0" (-2.0m)	lbs	16,250*	16,250*	25,650*	25,650*	36,100*	23,950	24,900	15,900	17,900	11,750			15,600	10,350
	kg	7,370*	7,370*	11,630*	11,630*	16,370	10,860	11,290	7,210	8,115	5,325			7,075	4,690
-10' 0" (-3.5m)	lbs	28,750*	28,750*	41,100*	41,100*	32,950*	24,100	24,900*	15,900					18,150	11,950
	kg	13,040*	13,040*	18,640*	18,640*	14,945	10,930	11,290*	7,210					8,230	5,420
-15' 0" (-5.0m)	lbs			35,050*	35,050*	26,500*	24,650	19,250*	16,350					18,150*	15,700
	kg			15,895*	15,895*	12,020	11,180	8,730*	7,415					8,230*	7,120

8' 8" (2.65 M) ARM WITH 20' 2" (6.15 M) BOOM WITH POWER-BOOST APPLIED

		5' 0" (1.5 m)		10' 0" (3.0 m)		15' 0" (4.5 m)		20' 0" (6.0 m)		25' 0" (7.5 m)		30' 0" (9.0 m)		Cap at Max. Reach	
 End	 Side	End	Side	End	Side	End	Side	End	Side	End	Side	End	Side	End	Side
+25' 0" (7.5 m)	lbs							19,200*	19,150					17,000*	17,000*
	kgs							8,705*	8,685					7,710	7,710
+20' 0" (6.0 m)	lbs							19,450*	18,950					16,100*	13,400
	kg							8,820*	8,595					7,300	6,075
+15' 0" (4.5 m)	lbs					26,250*	26,250*	21,400*	18,300	19,050*	13,050			16,000*	11,550
	kg					11,905*	11,905*	9,705*	8,300	8,640*	5,915			7,255	5,235
+10' 0" (3.0 m)	lbs					32,250*	26,400	24,050*	17,500	18,900	12,700			15,750	10,650
	kg					14,625*	11,970	10,905*	7,935	8,570	5,760			7,140	4,830
+5' 0" (1.5 m)	lbs					36,350*	24,950	25,850	16,750	18,500	12,300			15,350	10,300
	kg					16,485*	11,315	11,725	7,595	8,390	5,575			6,960	4,670
Ground Line	lbs					37,150*	24,350	25,300	16,250	18,200	12,050			15,750	10,550
	kg					16,850*	11,040	11,475	7,370	8,255	5,465			7,140	4,785
-5' 0" (1.5 m)	lbs			25,600*	25,600*	35,400*	24,250	25,100	16,100	18,100	12,000			17,200	11,400
	kg			11,610*	11,610*	16,055*	10,995	11,385	7,300	8,210	5,440			7,800	5,170
-10' 0" (3.0 m)	lbs			40,700*	40,700*	31,300*	24,550	23,800*	16,250					19,400*	13,500
	kg			18,460*	18,460*	14,195*	11,135	10,795*	7,370					8,795	6,120
-15' 0" (4.5 m)	lbs					23,150*	23,150*							17,900*	17,900*
	kg					10,500*	10,500*							8,115	8,115

300 X4S SPECIFICATIONS

LIFT CAPACITIES - RADIUS OF LOAD*

12' 0" (3.66 M) ARM WITH 20' 2" (6.15 M) BOOM WITH POWER-BOOST APPLIED

		5' 0" (1.5 m)		10' 0" (3.0 m)		15' 0" (4.5 m)		20' 0" (6.0 m)		25' 0" (7.5 m)		30' 0" (9.0 m)		Cap at Max. Reach	
End	Side	End	Side	End	Side	End	Side	End	Side	End	Side	End	Side	End	Side
+25' 0"	lbs									11,000*	11,000*			10,550*	10,550*
(7.5 m)	kgs									4,985*	4,985*			4,785*	4,785*
+20' 0"	lbs									15,400*	13,500			10,050*	10,050*
(6.0 m)	kg									6,985*	6,120			4,555*	4,555
+15' 0"	lbs							18,500*	18,500*	16,800*	13,200	10,750*	9,750	10,000*	9,650
(4.5 m)	kg							8,390*	8,390*	7,620*	5,985	4,875*	4,420	4,535*	4,375
+10' 0"	lbs					27,650*	27,250	21,450*	17,700	18,250*	12,700	14,250	9,600	10,250*	8,950
(3.0 m)	kg					12,540*	12,360	9,725	8,025	8,275*	5,760	6,460	4,350	4,645*	4,055
+5' 0"	lbs					33,250*	25,300	24,350*	16,750	18,400	12,200	14,000	9,350	10,900*	8,700
(1.5 m)	kg					15,080*	11,475	11,040	7,595	8,345	5,530	6,350	4,240	4,940*	3,945
Ground	lbs			15,050*	15,050*	36,200*	24,150	25,150	16,050	17,950	11,800	13,750*	9,150	11,950*	8,800
Line	kg			6,825*	6,825*	16,420*	10,950	11,405	7,280	8,140	5,350	6,235	4,150	5,420*	3,990
-5' 0"	lbs	14,750*	14,750*	23,850*	23,850*	36,300*	23,700	24,700	15,700	17,700*	11,550			13,750*	9,350
(1.5 m)	kg	6,690*	6,690*	10,815*	10,815*	16,465*	10,750	11,200	7,120	8,02	5,235			6,235*	4,240
-10' 0"	lbs	24,750*	24,750*	35,950*	35,950*	34,000*	23,700	24,600	15,600	17,700	11,550			16,100	10,600
(3.0 m)	kg	11,225*	11,225*	16,305*	16,305*	15,420*	10,750	11,155	7,075	8,025	5,235			7,300	4,805
-15' 0"	lbs			39,300*	39,300*	28,800*	24,150	21,450*	15,900					17,300*	13,300
(4.5 m)	kg			17,825*	17,825*	13,060*	10,950	9,725*	7,210					7,845*	6,030

NOTES: EXCAVATOR LIFTING CAPACITIES

- The lift capacities above are based on the ISO standard, ISO 10567:2007 - "Earthmoving Machinery - Hydraulic Excavators - Lift Capacity"
- Lifting capacities shown should not be exceeded. The weight of all lifting accessories must be deducted from the above lifting capacities. The use of a work tool attachment point as the lift point could affect the machine lift performance.
- Lifting capacities are based on the machine standing on a firm, uniform supporting surface. Users must make allowances for job conditions such as soft or uneven ground.
- Lifting capacities shown do not exceed 75% of the minimum tipping loads or 87% of the hydraulic capacities. Lifting capacities marked with an asterisk (*) are limited by hydraulic capacities.
- The least stable position is lifting over the side.
- Operators should be fully acquainted with the Operator's Manual & Operating Safety Booklet, furnished by LBX Company LLC before operating the machine.
- Lift capacities apply only to the machine as originally manufactured and normally equipped by LBX Company LLC.
- This lift chart is without bucket, bucket cylinder, and bucket linkage. If the machine is equipped with any of these components the weight of those components must be deducted from the listed lifting capacities.
- Weight of removed components: bucket cylinder 462.5 lbs (209.8 kg) and linkage 682.8 lbs (309.7 kg).

300 X4S SPECIFICATIONS

STANDARD EQUIPMENT

CAB

- 270° WAVES 3-Camera System
- 12V Power Outlet
- AM/FM Sound System
- Anti-Theft Device
- Auxiliary Switches on Control Lever
- Bluetooth
- Cab Air Filter - External
- Cab Handrails
- Cab Interior Light
- Cab ISO-Mounts
- LED Cab Lights
- Clear Roof Window
- Climate Control A/C and Heater
- Cup Holder (2)
- Defroster
- Digital Clock
- Emergency Exit and Hammer
- Face Vent
- Floor Mat (Split)
- Front Window One-Touch Lock
- Gate Lock Hydraulic Activation
- Horn
- Hour Meter (Digital)
- LCD 10" Color Monitor
- Maintenance Interval Reminders
- MP3 Auxiliary Input
- On-Board Diagnostic
- Radio Mute Switch
- Rear View Camera
- Rear View Mirrors (2)
- RemoteCARE Support System (GPS)
- Roof Sun Shade
- ROPS/FOPS Level 1 Certified Structure
- Safety Glass Windows
- SCM Air-Suspension Seat with Tilt & Heater
- Seat Recline
- Selectable Monitor Languages
- Small Storage

- Smart Phone Tray
- Travel Alarm with Cancel Switch
- Trip Meter (Digital)
- Wiper & Washer
- Wiper Switch on RH Joystick

ENGINE

- 90A Alternator
- Air Filter (Double Element)
- Air Filter Restriction Indicator
- Air Pre-Cleaner
- Auto Warm-Up System
- Auto-Idle
- Auto-Idle Shutdown
- Battery Disconnect Switch w/ LED Light
- Cooling Fan
- DEF Gauge on Monitor
- Diesel Particulate Filter (DPF)
- Diesel Oxidation Catalyst (DOC)
- Drain for Fuel Tank
- Dual Remote Fuel Filters with Water Separators
- EGR Coolers
- Emergency Engine Stop
- Engine Oil Sample Port
- Engine Protection Feature
- External Fuel Gauge
- External DEF Gauge
- Fan Housing
- Fuel Cooler
- Fuel Filter Restriction Indicator
- Fuel Management System
- Fuel Usage History
- Fuel Usage Monitor
- Glow Plug Pre-Heat
- Idle-Start
- Intercooler
- Neutral Start
- One-Touch Idle

- Radiator / Oil Cooler / Intercooler Protective Screens
- Remote Engine Oil Drain
- Remote Oil Filter
- Selective Catalytic Reduction (SCR)
- Turbocharger

HYDRAULICS

- Anti-drift valves (Arm & Boom)
- Arm Regeneration
- Arm Speed Assistance (2 Pump Flow)
- Attachment Cushion Valve
- Auto Swing Priority
- Custom Flow Control
- Auxiliary Tool Settings (Custom Naming)
- Auxiliary Valve
- Boom Regeneration
- Boom Speed Assistance (2 Pump Flow)
- Bucket Curl Assist
- Control Levers Pre-Wired for Auxiliary Hyd.
- Pattern Control Valve (2 way)
- Electronically Controlled Hydraulic Pumps
- Fire Wall
- Free Swing
- Hydraulic Filter Restriction Indicator
- Hydraulic Oil Sample Port
- Long Life Hydraulic Oil (5,000 Hour)
- Neutral Pump De-Stroke
- Oil Cooler
- Power Boost
- Power Save
- Pressure Reading on Monitor
- Pump Stand-By Pressure

UNDERCARRIAGE

- 800 mm shoes (31.5 in) 3-Bar Steel
- Extended Steps
- Lashing Points (Tie-Downs)
- Sealed Link Chain
- Single Track Guide
- Strutted Track Chain
- Swivel Guard

UPPERSTRUCTURE

- Counterweight (10,800 lbs)
- Center Cover (Over Main CV)
- Fuel Tank Belly Pan
- ISO Guard Rails
- LED Tool Box Light
- Lockable Fuel Cap and Service Doors
- Lockable Hydraulic Oil Tank Cap
- Lockable Engine Hood
- Lockable Tool Box

ATTACHMENT

- 10' 5" (3.18 m) Arm
- 20' 2" (6.15 m) HD Boom Section
- Auxiliary Pipe Brackets
- Bucket Anti Clatter
- Chrome Pins
- HD Bucket Linkage
- LED Boom Light
- Quick Coupler Lines
- Precision Grade Brackets
- Teardrop Pin Retention Keepers

300 X4S SPECIFICATIONS

OPTIONAL EQUIPMENT

CAB

- 270° WAVES+ 3-Camera System
- Cab Sun Visor (Front)
- CAB Head Guard (FOPS Level 2)
- Front Guard (Mesh)
- Front Guard (BAR - OPG Level 1)
- Front Guard (BAR - OPG Level 2)
- LED Lights for WAVES Cameras (4)
- Rain Deflector
- Vandal Cover (Front Window)

ENGINE

- Reversible Cooling Fan

HYDRAULICS

- Hose Burst Check Valve

AUXILIARY HYDRAULIC OPTIONS

- Multi-Function Aux. w/ in-cab Pressure Settings and Proportional Joystick
- Combination Aux. w/ in-cab Pressure Settings and Proportional Joystick

UNDERCARRIAGE

- 600 mm shoes (23.6 in) 3-Bar Steel
- 700 mm shoes (27.5 in) 3-Bar Steel
- Triple Track Guards

ATTACHMENT

- 10' 5" (3.18 m) HD Arm
- 12' 0" (3.66 m) HD Arm
- 8' 8" (2.65 m) HD Arm

BUCKET SIZES



Scan the QR code to find the right size bucket, thumb, and coupler combination for the 300 X4S.

Or visit qrco.de/bdtoMd



#LBX2492 · 2/24

LBX® and Link-Belt® are registered trademarks. Copyright 2023. All rights reserved. We are constantly improving our products and therefore reserve the right to change designs and specifications.

Link-Belt
EXCAVATORS