



ENGINE

Model	Isuzu AQ-4HK1X
Emissions Certification	Tier 4 Final
Fuel	Requires ultra-low sulfur fuel B5 biodiesel tolerant
Type	Water-cooled, 4-cycle diesel, 4-cylinder in line high pressure common rail system – electric control, Turbocharger w/ air cooled intercooler, SCR system
Cylinders	4-cylinder in-line
Displacement	317 in ³ (5.2 L)
Bore/Stroke	4.53 x 4.92 in (115 x 125 mm)
Fuel injection	Direct injection – electronic
Fuel filter	Replaceable, full flow spin-on cartridge
Air filter	Dry type element w/ warning restriction indicator
Oil filter	Replaceable, full flow spin-on cartridge
Engine gradeability:	
Side-to-side	35°
Fore and aft	35°
Net horsepower – SAE J1349 @ 2000 RPM:	177 hp (132.1 kW)
Net max. torque – SAE J1349 @ 1800 RPM:	458 lbf-ft (621 N·m)
Cooling operating range:	113° to -4°F (45° to -20°C)
Oil	Requires low-ash oil CJ-4

DRIVETRAIN

Travel control	Dual stage relief/ counter balance design
Brakes	Mechanical disc
Service brakes	SAHR disc – each motor
Two speed travel:	
Max. high speed	3.4 mph (5.5 kph)
Max. low speed	2.2 mph (3.2 kph)
Automatic downshift	3.5
Drawbar pull	44,100 lbf (196 kN)
Gradeability	70% – 35° Slope

ELECTRICAL

Voltage	24 Volts
Alternator rating	50 amp
Batteries	2 x 12 Volt
Battery reserve capacity	92 Ah/5 hour
Work lights – 6	24 Volt/70 watt
	1 upper, 2 arm, 1 boom, 2 cab

OPERATOR ENVIRONMENT

Air conditioner output	18,100 BTU/hr
Heater output	20,150 BTU/hr
Sound level inside cab – ISO6395	70 dBA
Electrical outlet	12 Volt
Cab interior light	10 watt
Rear view camera	Standard
Seat	Air-suspension, heated and 65° tiltable
Monitor:	
	Rear view and side view – optional camera display; Mode 1: work mode; Travel mode; Attachment selection; Auto idle indicator; Fuel consumption gauge; Power boost icon; Fuel bar graph; Oil temperature bar graph; DEF/AdBlue bar graph; Auto glow indicator; Auxiliary mode display; Hour meter; Camera angle indicator; Mode 2: free swing/swing lock indicator; Light icon; Wiper icon; Mute icon; Seat belt icon; Warning messages; Time and date; Water temperature bar graph; DEF/AdBlue refill icon; Anti-theft icon; DTC indicator; Low output icon; SCR cleaning icon; SCR warning icons; Freeze protection; Trip meter; Pressure reading.

Seat:

High-back seat w/ heat and air suspension;
Adjustments: 65° tilt, manual weight, seat
height headrest, lumbar support, backrest
angle, pivoting armrests linked to consoles;
Retractable seat belt and control consoles
adjust independently of seat.

ATTACHMENT

Boom	24 ft 3 in (7.40 m)
Arm option:	
Standard	19 ft 0 in (5.80 m)

OPERATING WEIGHT

Operating weight	71,700 lb (32 500 kg)
w/ shoes	2 ft 0 in (600 mm)
w/ boom	24 ft 3 in (7.40 m)
w/ arm	19 ft 0 in (5.80 m)
w/ counterweight	18,000 lb (8 150 kg)
w/ Grab mass for garbage	3,880 lb (1 760 kg)

NOTE: w/ operator/full fuel/standard equipment.

GROUND PRESSURE

@ Standard operating weight 9.4 psi (0.64 bar)
w/ 2 ft 0 in (600 mm) flat shoes w/ 19 ft 0 in
(5.80 m) arm

HYDRAULICS

System design	Open center
Main pumps	Two-variable displacement/ axial piston
Max. rated flow per pump:	61.8 gpm (234 L/min)
System pressures:	
Boom and arm	4,970 psi (343 bar)
w/ power boost	5,410 psi (373 bar)
Travel circuit	4,970 psi (343 bar)
Swing circuit	3,910 psi (270 bar)
Pilot pump	1 x gear design
Max. capacity	5.3 gpm (20 L/min)
Controls	w/ boom/arm holding valve
Right track travel, bucket and arm acceleration.	1 x Four-spool section
Left track travel, auxiliary, swing, boom and arm acceleration.	1 x Five-spool section
Work mode selections	SP: Speed Priority H: Heavy-Duty A: Automatic
Swing motor	Fixed displacement axial piston
Swing final drive	Planetary gear reduction
Travel motor	Two-speed independent travel/axial piston

HYDRAULIC CYLINDERS

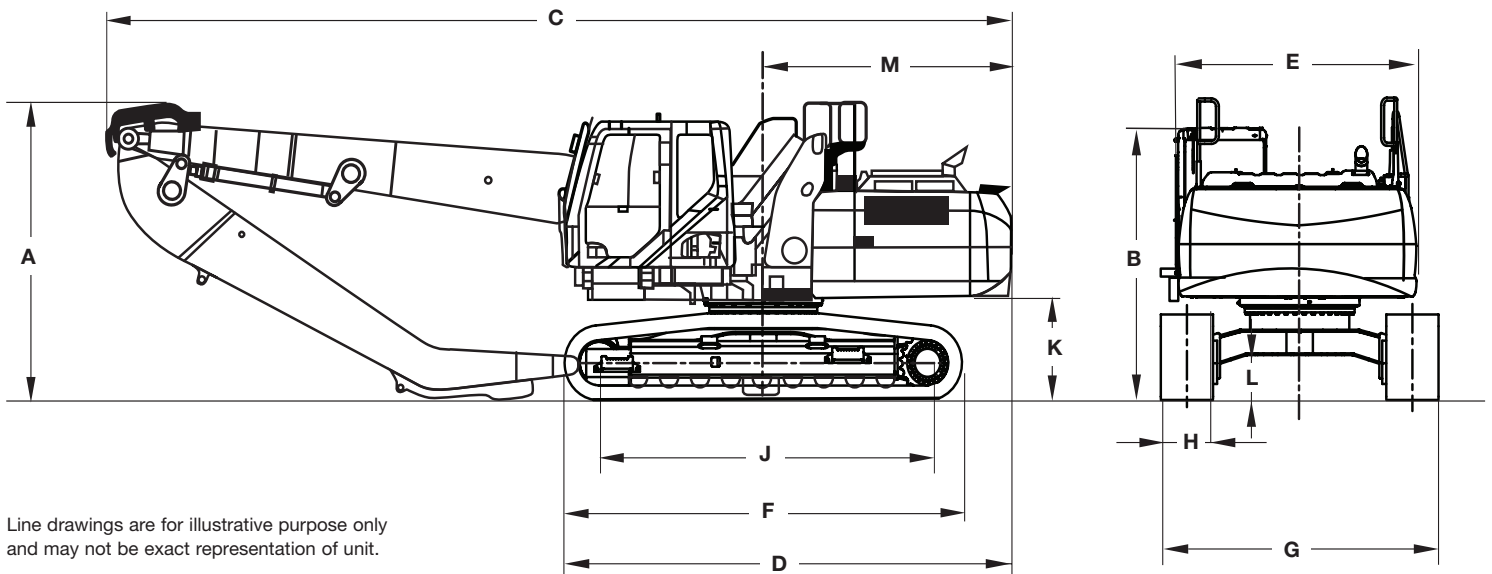
Boom cylinders	Two (2)
Cylinder bore	5.5 in (140 mm)
Cylinder rod diameter	3.7 in (95 mm)
Cylinder stroke	44.3 in (1 126 mm)
Arm cylinders	Two (2)
Cylinder bore	4.9 in (125 mm)
Cylinder rod diameter	3.5 in (90 mm)
Cylinder stroke	50.4 in (1 280 mm)
Cab elevating cylinders	One (1)
Cylinder bore	3.3 in (85 mm)
Cylinder rod diameter	2.0 in (50 mm)
Cylinder stroke	31.5 in (800 mm)

SERVICE CAPACITIES

Fuel tank	108 gal (410 L)
Hydraulic system	66.0 gal (250 L)
Hydraulic tank	39.0 gal (147 L)
Engine oil w/ filter	6.1 gal (23.1 L)
Swing drive	2.6 gal (9.7 L)
Final drive	1.3 gal (5 L)
Cooling system	8.3 gal (31.4 L)
DEF Tank	31.7 gal (120 L)

OTHER SPECIFICATIONS

Swing speed	11.0 RPM
Swing torque	51,500 lbf-ft (69.8 kN)
Swing brake	Mechanical disc
Undercarriage:	
Length	15 ft 4 in (4 680 mm)
Track Gauge	8 ft 6 in (2 590 mm)
Carrier rollers per side	2
Track rollers per side	9
Shoes – Flat Steel per side	51
Shoe width – std.	2 ft 0 in (600 mm)
Link pitch	7.5 in (190 mm)
Track:	
Chain	Grease lubricated/strutted
Guides	Single
Adjustment	Hydraulic

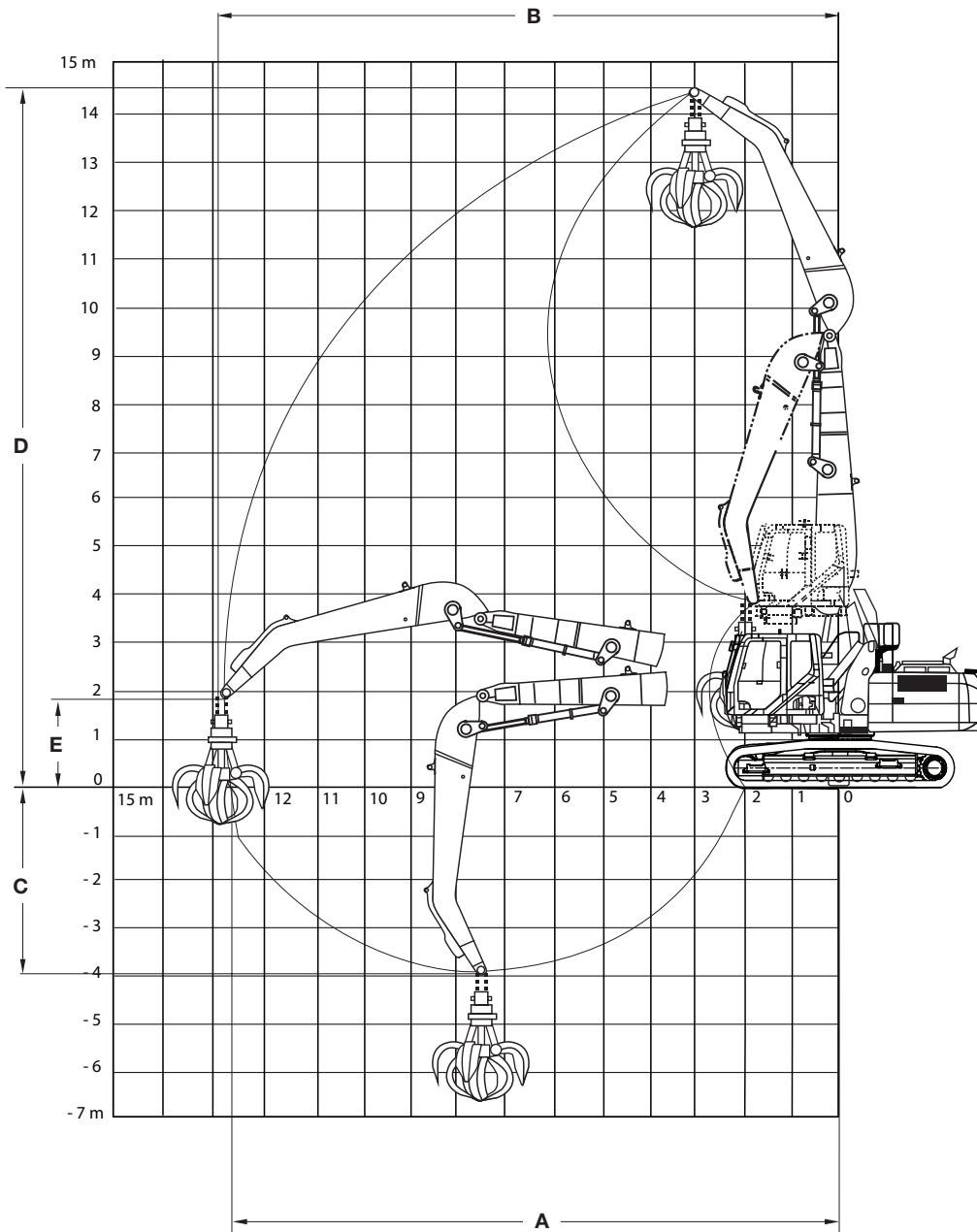


Line drawings are for illustrative purpose only and may not be exact representation of unit.

DIMENSIONS

	19 ft 0 in (5.8 m) Arm
A. Overall height – to top of boom	11 ft 0 in (3 350 mm)
B. Cab height	10 ft 6 in (3 190 mm)
Overall height to top of guardrail	11 ft 0 in (3 360 mm)
C. Overall length – with attachment	34 ft 11 in (10 650 mm)
D. Overall length – without attachment	17 ft 6 in (5 330 mm)
E. Width of upper structure	9 ft 9 in (2 970 mm)
F. Track overall length	15 ft 4 in (4 680 mm)
G. Track overall width with 24 in (600 mm) shoes	10 ft 6 in (3 190 mm)
H. Track shoe width	24 in (600 mm)
J. Center to center – idler to sprocket	12 ft 7 in (3 840 mm)
K. Upper structure ground clearance	3 ft 9 in (1 140 mm)
L. Minimum ground clearance	20 in (500 mm)
M. Rear tail swing radius	9 ft 8 in (2 950 mm)

NOTE: With 19 ft 0 in (5.8 m), 2 ft 0 in (600 mm) flat shoes, Grab mass for garbage 3,880 lb (1 760 kg), full fuel tank and operator.



PERFORMANCE SPECS

	19 ft 0 in (5.8 m) Arm
A. Maximum reach at GRP	41 ft 11 in (12 770 mm)
B. Max reach (Arm top)	42 ft 5 in (12 920 mm)
C. Max depth	12 ft 9 in (3 890 mm)
D. Max height	47 ft 4 in (14 420 mm)
E. Cab riser stroke height	7 ft 7 in (2.3 m)

LIFT CAPACITIES

CX290D SL – 24 ft 3 in (7.40 m) Boom and 19 ft 3 in (5.8 m) Arm Lift capacities using a Grab mass for garbage weighing 3,880 lb (1 760 kg) and 18,000 lb (8 150 kg) counterweight.

Load (Lift Point Height)	MINIMUM REACH			5 ft (1.5 m)		10 ft (3 m)		15 ft (4.5 m)		20 ft (6 m)	
	@	END	SIDE	END	SIDE	END	SIDE	END	SIDE	END	SIDE
+45 ft (13.5 m)	13 ft 4 in (4.29 m)	17,600 lb* (8 000 kg)*	17,600 lb* (8 000 kg)*					15,950 lb* (7 230 kg)*	15,950 lb* (7 230 kg)*		
+40 ft (12 m)	17 ft 5 in (5.40 m)	17,800 lb* (7 910 kg)*	17,800 lb* (7 910 kg)*							16,450 lb* (7 590 kg)*	16,450 lb* (7 590 kg)*
+35 ft (10.5 m)	19 ft 4 in (5.93 m)	15,800 lb* (7 120 kg)*	15,800 lb* (7 120 kg)*							15,600 lb* (7 090 kg)*	15,600 lb* (7 090 kg)*
+30 ft (9 m)	19 ft 10 in (6.04 m)	15,300 lb* (6 950 kg)*	15,300 lb* (6 950 kg)*							15,250 lb*	15,250 lb*
+25 ft (7.5 m)	19 ft 0 in (5.75 m)	16,000 lb* (7 310 kg)*	16,000 lb* (7 310 kg)*							15,700 lb* (7 190 kg)*	15,700 lb* (7 190 kg)*
+20 ft (6 m)	16 ft 7 in (4.99 m)	18,450 lb* (8 490 kg)*	18,450 lb* (8 490 kg)*							16,900 lb* (7 770 kg)*	16,900 lb* (7 770 kg)*
+15 ft (4.5 m)	11 ft 8 in (3.44 m)	24,500 lb* (11 130 kg)*	24,500 lb* (11 130 kg)*					22,800 lb* (10 540 kg)*	22,800 lb* (10 540 kg)*	18,800 lb* (8 660 kg)*	18,800 lb* (8 660 kg)*
+10 ft (3 m)	8 ft 3 in (2.53 m)	50,050 lb* (22 770 kg)*	50,050 lb* (22 770 kg)*			40,750 lb* (18 970 kg)*	40,750 lb* (18 970 kg)*	27,350 lb* (12 660 kg)*	27,350 lb* (12 660 kg)*	21,100 lb* (9 730 kg)*	19,050 lb (8 850 kg)
+5 ft (1.5 m)	8 ft 11 in (2.72 m)	5,400 lb* (2 420 kg)*	5,400 lb* (2 420 kg)*			8,550 lb* (3 610 kg)*	8,550 lb* (3 610 kg)*	31,450 lb* (14 550 kg)*	26,750 lb (12 430 kg)	23,200 lb* (10 710 kg)*	17,750 lb (8 240 kg)
Groundline	6 ft 8 in (2.02 m)	3,100 lb* (1 400 kg)*	3,100 lb* (1 400 kg)*			7,050 lb* (3 080 kg)*	7,050 lb* (3 080 kg)*	21,850 lb* (9 360 kg)*	21,850 lb* (9 360 kg)*	24,550 lb* (11 320 kg)*	16,750 lb (7 770 kg)
-5 ft (-1.5 m)	9 ft 3 in (2.81 m)	8,050 lb* (3 610 kg)*	8,050 lb* (3 610 kg)*			8,800 lb* (3 900 kg)*	8,800 lb* (3 900 kg)*	18,150 lb* (7 930 kg)*	18,150 lb* (7 930 kg)*	24,650 lb* (11 380 kg)*	16,100 lb (7 480 kg)
-10 ft (-3 m)	14 ft 9 in (4.41 m)	18,100 lb* (7 940 kg)*	18,100 lb* (7 940 kg)*					18,750 lb* (8 230 kg)*	18,750 lb* (8 230 kg)*	23,400 lb* (10 820 kg)*	15,850 lb (7 350 kg)

Load (Lift Point Height)	25 ft (7.5 m)		30 ft (9 m)		35 ft (10.5 m)		40 ft (12 m)		45 ft (13.5 m)		MAXIMUM REACH		
	END	SIDE	END	SIDE	END	SIDE	END	SIDE	END	SIDE	@	END	SIDE
+45 ft (13.5 m)											17 ft 0 in (5.65 m)	13,400 lb* (5 770 kg)*	13,400 lb* (5 770 kg)*
+40 ft (12 m)	11,350 lb* (5 820 kg)*	11,350 lb* (5 820 kg)*									25 ft 7 in (8.05 m)	10,350 lb* (4 600 kg)*	10,350 lb* (4 600 kg)*
+35 ft (10.5 m)	14,500 lb* (6 590 kg)*	14,500 lb* (6 590 kg)*	11,150 lb* (5 620 kg)*	11,150 lb* (5 330 kg)							31 ft 2 in (9.65 m)	9,050 lb* (4 070 kg)*	9,050 lb* (4 070 kg)*
+30 ft (9 m)	14,150 lb* (6 460 kg)*	14,150 lb* (6 460 kg)*	13,300 lb* (6 070 kg)*	11,550 lb (5 400 kg)	8,700 lb* (4 710 kg)*	8,700 lb* (4 110 kg)					35 ft 1 in (10.80 m)	8,400 lb* (3 790 kg)*	8,400 lb* (3 790 kg)*
+25 ft (7.5 m)	14,400 lb* (6 580 kg)*	14,400 lb* (6 580 kg)*	13,350 lb* (6 100 kg)*	11,500 lb (5 360 kg)	12,500 lb (5 710 kg)*	8,850 lb (4 120 kg)					38 ft 0 in (11.65 m)	8,050 lb* (3 640 kg)*	7,550 lb (3 400 kg)
+20 ft (6 m)	15,100 lb* (6 920 kg)*	15,050 lb (6 920 kg)*	13,700 lb* (6 280 kg)*	11,250 lb (5 240 kg)	12,350 lb (5 770 kg)	8,750 lb (4 070 kg)	8,200 lb* (4 510 kg)*	6,850 lb (3 210 kg)			40 ft 1 in (12.26 m)	7,850 lb* (3 560 kg)*	6,850 lb (3 080 kg)
+15 ft (4.5 m)	16,150 lb* (7 430 kg)*	14,450 lb (6 710 kg)	14,300 lb* (6 750 kg)*	10,900 lb (5 070 kg)	12,150 lb (5 660 kg)	8,500 lb (3 970 kg)	9,800 lb (4 580 kg)	6,800 lb (3 170 kg)			41 ft 6 in (12.66 m)	7,850 lb* (3 560 kg)*	6,350 lb (2 890 kg)
+10 ft (3 m)	17,450 lb* (8 030 kg)*	13,750 lb (6 370 kg)	15,000 lb* (6 900 kg)*	10,450 lb (4 860 kg)	11,900 lb (5 530 kg)	8,250 lb (3 840 kg)	9,650 lb (4 510 kg)	6,700 lb (3 110 kg)			42 ft 3 in (12.88 m)	7,950 lb* (3 610 kg)*	6,100 lb (2 770 kg)
+5 ft (1.5 m)	18,600 lb* (8 580 kg)*	13,000 lb (6 030 kg)	14,550 lb (6 760 kg)	10,000 lb (4 650 kg)	11,600 lb (5 400 kg)	8,000 lb (3 720 kg)	9,550 lb (4 440 kg)	6,550 lb (3 040 kg)			42 ft 4 in (12.91 m)	8,200 lb* (3 720 kg)*	6,000 lb (2 720 kg)
Groundline	18,300 lb (8 520 kg)	12,350 lb (5 740 kg)	14,100 lb (6 570 kg)	9,650 lb (4 470 kg)	11,350 lb (5 280 kg)	7,750 lb (3 610 kg)	9,400 lb (4 380 kg)	6,400 lb (2 980 kg)			41 ft 11 in (12.77 m)	8,600 lb* (3 900 kg)*	6,000 lb (2 740 kg)
-5 ft (-1.5 m)	17,850 lb (8 310 kg)	11,950 lb (5 540 kg)	13,800 lb (6 430 kg)	9,350 lb (4 340 kg)	11,200 lb (5 200 kg)	7,600 lb (3 530 kg)	(5 280 kg)	(3 610 kg)			39 ft 11 in (12.19 m)	9,350 lb (4 260 kg)	6,400 lb (2 900 kg)
-10 ft (-3 m)	17,600 lb (8 190 kg)	11,750 lb (5 440 kg)	13,700 lb (6 360 kg)	9,200 lb (4 280 kg)	(5 170 kg)	(3 500 kg)					34 ft 6 in (10.59 m)	11,350 lb (5 110 kg)	7,700 lb (3 460 kg)

NOTE: *Lift capacities marked with an asterisk (*) are limited by 87% hydraulic capacity and 75% tipping capacity.

STANDARD EQUIPMENT

ENGINE

Isuzu AQ-4HK1X
Tier 4 Final Certified
Selective Catalytic Reduction – SCR
Diesel Oxidation Catalyst – DOC
Cooled Exhaust Gas Recirculation – CEGR
EGR Coolers
Four-cylinder turbo-charged diesel
VGT turbocharger
Electronic fuel injection
High pressure common rail system
Neutral safety start
Auto-engine warm up
Glow-plug pre-heat
Fuel Economy Assist System – FEA
Engine Protection Feature – EPF
Dual-stage fuel filtration
Dual element air filter
Remote oil filter
Drain for fuel tank
Remote engine oil drain
500-hour engine oil change interval
24 Volt system
Engine oil sample port
Battery disconnect switch
Emergency engine stop
External Fuel and DEF gauges
Fan housing
Fuel cooler
Fuel filter restriction indicator
Fuel shut-off valve
Idle start
Radiator, oil cooler,
intercooler – protective screen

FUEL ECONOMY SYSTEMS

Engine Idle/Fuel Economy System:
Auto-idle
One-touch idle
Auto-idle shut-down
BEC – Boom Economy Control
AEC – Auto Economy Control
SWC – Swing Relief Control
SSC – Spool Stroke Control

HYDRAULICS

Auto power boost
Auto swing priority
Arm speed assistance – 2 pump flow
Auxiliary flow control
Auxiliary valve
Boom speed assistance – 2 pump flow
Control levers pre-wired for
auxiliary hydraulics
Electronically controlled hydraulic pumps
Holding valve – Boom and Arm
Hydraulic filter restriction indicator
Neutral pump de-stroke
Oil cooler
Arm/Boom Shock reduction
Anti-interference Device
Emergency Cab Lowering Device

Power save
Pump stand-by pressure
Auto travel speed change
Selectable work modes
Free swing
Hydraulic oil sample port
Control pattern selector
Pre-set auxiliary pump settings
Auxiliary valve
5,000-hour hydraulic oil change interval
1,000-hour hydraulic filter change interval
SAHR brake

UPPER STRUCTURE

ISO mirrors – 3
Upper mounted work light – 70 watt
Swivel guard belly pan
Center cover – over main control valve
Fuel tank belly pan
Handrail – RH access
ISO guard rails
Lifting eyes for counterweight
Lockable fuel cap, service doors and tool box

ATTACHMENTS

Boom – 24 ft 3 in (7.4 m)
Arm – 19 ft 3 in (5.8 m)
Boom mounted work light – 70 watt
Auxiliary pipe brackets
Centralized grease fittings
Attachment cushion valve
Arm and boom regeneration
Chrome pins
Easy Maintenance System (EMS) bushings
Teardrop pin retention keepers

OPERATOR ENVIRONMENT

ROPS protection
FOPS cab top guard – Level 1
Pressurized cab
Face vent
Cab lights – 2
Interior dome light
One-touch lock front window
One piece window – right
Safety glass windows
Gate lock hydraulic activation
Emergency exit and hammer
Clear polycarbonate roof window
with sunshade
AC/heat/defrost with auto climate control
LED Color monitor – 7 in (180 mm)
26 selectable languages for monitor
On-board diagnostic system
10 programmable attachments settings on
monitor – 5 single flow, 5 dual flow
Seat belt – 3 in (76 mm)
Heated high-back cloth seat with air
suspension and 65° tilt adjustment
Sliding seat – 3.54 in (90 mm)
Adjustable armrests
Tilting consoles – 4-position
Sliding cockpit – 3.15 in (80 mm)
Low-effort joystick controls

Controls pre-wired for auxiliary
Single pedal travel
Straight travel
AM/FM radio with antenna, 2 speakers and
Bluetooth capabilities
Aux-in port for personal electronics
Radio mute switch – joystick
Rear-view camera
Anti-theft system – start code system
Rubber floor mat
12 Volt electric outlet
24 Volt cigarette lighter
Windshield wiper/washer
Cup holder
Storage compartments
Warm/cool storage compartment
Travel alarm with cancel switch
Ignition keys
One key start & lock-up
Cab filter – external
Cab handrails
Operator's manual

UNDERCARRIAGE

Long undercarriage
24 in (600 mm) flat steel shoes
Full overlap turntable bearing tub
Single track chain guides
Hydraulic track adjustment
Sealed link chain
Steps
Carbody belly pan – swivel guard
X-pattern carbody
Lashing points – tie downs
Extra Filter Kit:
Engine oil filter
Filter wrench
Fuel filters
Grease gun
Green plug oil drain hose for
engine oil drain
Hydraulic return filter
Pilot circuit hydraulic filter

TELEMATICS

CASE SiteWatch™ Telematics – includes
hardware and a 3-yr Advanced
data subscription

OPTIONAL EQUIPMENT

ENGINE

Air pre-cleaner – Cyclone
Reversible fan

HYDRAULICS

Auxiliary hydraulics:
Single acting/joystick activated
Double acting/joystick activated – thumb
Multi-function with electronic pressure control/joystick activated with electronic proportional controls
Secondary low-flow/joystick activated
Proportional hydraulic controls
Hose Burst Check Valve – HBCV

UPPER STRUCTURE

Rubber bumper guard – order through Service Parts

UNDERCARRIAGE

23.6 in (600 mm) steel shoes, triple semi-grouser
27.6 in (700 mm) steel shoes, triple semi-grouser
31.5 in (800 mm) steel shoe
Track guides – triple

OPERATOR ENVIRONMENT

FOPS cab top guard – Level 2
Front grill guard – 2 x 2 in (50.8 x 50.8 mm) screen mesh
Front rock guard – vertical bars
Two piece/OPG 1
Front rock guard – vertical bars
One piece/OPG 2
Vandal guard (front window) with common key
Rain deflector – not available with Front guards
Sun visor
Side-view camera
LED Package:
Includes 1 Side view camera and 6 LED Lights – 2 front cab mounted, 2 rear mounted and 1 mounted on each side

CaseCE.com

©2018 CNH Industrial America LLC. All rights reserved. CASE is a trademark registered in the United States and many other countries, owned by or licensed to CNH Industrial N.V., its subsidiaries or affiliates. CNH Industrial Capital is a trademark in the United States and many other countries, owned by or licensed to CNH Industrial N.V., its subsidiaries or affiliates. Printed in U.S.A. Contains 10% post-consumer fiber.

IMPORTANT: CASE Construction Equipment Inc. reserves the right to change these specifications without notice and without incurring any obligation relating to such change. Availability of some models and equipment builds vary according to the country in which the equipment is used. The illustrations and text may include optional equipment and accessories and may not include all standard equipment. Your CASE dealer/distributor will be able to give you details of the products and their specifications available in your area.



CASE Construction Equipment is biodiesel-friendly. NOTE: All engines meet current EPA emissions regulations. All specifications are stated in accordance with SAE Standards or Recommended Practices, where applicable.



Always read the Operator's Manual before operating any equipment. Inspect equipment before using it, and be sure it is operating properly. Follow the product safety signs and use any safety features provided.

Form No. CCE201810CX290DSL
Replaces Form No. CCE201706CX290DSL

CX290D SL

6 of 6