



**CASE**  
CONSTRUCTION  
SINCE 1842

**C SERIES**  
**MINI EXCAVATORS**



CX17C | CX26C | CX30C | CX37C | CX57C | CX60C



CASE

CX37C

# MORE POWER. MORE PRODUCTIVITY. MORE VALUE.

CASE C Series mini excavators — ranging from 1.7 to 6.0 metric tons — are ideal for use in tight spaces and applications such as residential construction, landscaping and utility work.

C Series mini excavators allow for excellent operation near obstacles, tree lines and foundations thanks to their zero, short-tail or conventional swing design. Parallel digging directly next to structures is achieved through an independent center swing boom that can be offset left or right.

Backfilling and stability is provided by the standard, hydraulically controlled backfill blade. And surface damage is kept to a minimum due to the standard, durable rubber tracks. Optional steel tracks are available for greater traction.

- + **Zero, short or conventional tail swing**
- + **Standard auxiliary hydraulics**
- + **Thumb ready**
- + **Automatic 2-speed travel**
- + **Centralized grease points**
- + **Protected cylinders**
- + **Standard pattern change valve**



CX17C



CX26C



CX30C



CX37C



CX57C



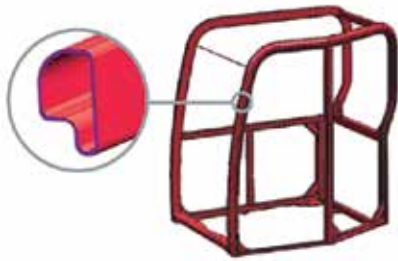
CX60C

**STANDARD  
AUXILIARY HYDRAULICS**

All C Series mini excavators come standard with auxiliary hydraulics directly controlled from the joystick — giving you the opportunity to operate attachments for even greater versatility.



# DESIGNED FOR DURABILITY AND PERFORMANCE



## RUGGED UPPER AND LOWER FRAME

The upper frame is designed with optimum structural integrity to absorb impact and operational stress. The x-style center frame and reinforced box section track frame provide exceptional strength and longer service life to withstand tough working conditions.



## ADVANCED HYDRAULIC SYSTEM

The C Series advanced hydraulic system includes an arm flow summation system and a swing brake for smooth and fine control. Other valuable features include a hydraulic damper in the travel pedal and a hydraulically lubricated swing reducer with a leak-free grease chamber.



## AUTO SHIFT TRAVELING SYSTEM

The Auto Shift traveling system automatically downshifts when the load increases to enhance travel torque on slopes and in difficult conditions, and shifts back up to secure a faster travel speed after the load decreases.



## LONG-LIFE COMPONENTS

C Series mini excavators are equipped with bushings designed for long-life lube intervals, polymer shims (wear resistant, noise reducing), long-life hydraulic filters, long-life hydraulic oil, more efficient cooling systems and integrated preheating systems. These lasting components help extend service intervals, minimize operating costs and reduce machine downtime.



## STANDARD PATTERN CHANGE VALVE

Changing joystick patterns from ISO to SAE is made easy with the standard pattern change valve. The CX57C offers an electronic pattern change switch inside the cab for added convenience.



## OPTIONAL LONG ARM WITH HEAVY COUNTERWEIGHT\*

If you need more reach and dig depth, equip your machine with the optional long arm. The longer dipper arm reaches farther from one spot to do more work without repositioning the machine. The long arm option includes an additional counterweight that enhances the C Series mini excavator's lifting capabilities.

\* Not available on CX30C

# EFFICIENT AND VERSATILE

## COMPACT DESIGN

The compact design of each C Series mini excavator allows the operator to work in confined areas, like close to buildings, on the side of roadways and in urban areas. The CX17C's variable undercarriage provides easy and efficient operation in any limited-space work environment.

## EASY TO TRANSPORT

With their compact design, the CX17C through CX37C models might not require special towing equipment or licensing.\*

## OPTIONAL ANGLE BLADE

The CX37C, CX57C, CX60C models are available with a 4-way angle blade option allowing for efficient backfilling and more versatility in confined working conditions. The blade can be angled 25° to the left and 25° to the right.

## VARIABLE BOOM SWING

The boom swing function is designed for efficient work in congested residential and urban areas. The boom can be offset left or right within an operating range. Plus, increased swing torque provides enhanced operating capability on the slope.



\*Always check your state and local laws for applicable roading regulations and requirements

# DO MUCH MORE THAN DIG

## ADD ATTACHMENTS, ADD PROFITABILITY

Digging is just the beginning. Standard auxiliary hydraulics matched with a broad selection of attachments allow you to do more, bid more work and grow your business without adding other machines.

The C Series lineup is compatible with a wide range of buckets, augers, thumbs, grapples, hydraulic hammers and more from numerous attachment manufacturers, so you're sure to find the right fit for your specific application. Consult your CASE dealer for details.

## ATTACHMENTS INCLUDE:



Augers



Hammers



Plate Compactor



SmartFit™  
Bucket Teeth



Track Options



Standard Auxiliary  
Hydraulics

## MECHANICAL, HYDRAULIC AND KLAC QUICK COUPLERS

Avoid the elements and downtime by quickly switching attachments from the comfort of your cab, thanks to a hydraulic quick coupler option.



# OPERATE IN COMFORT

## NEWLY DESIGNED CAB\*

Comfortable operators get more done. CASE C Series mini excavators feature an ergonomically designed suspension seat, adjustable arm rests and a spacious environment to help minimize operator fatigue.

C Series mini excavators offer operator-friendly ergonomic controls that keep you productive all day long. Also, operators can fully customize their work environment and operating preferences to fit their individual needs.



### WIDE CAB

The newly designed cab provides operators with more space and excellent visibility of both the cab interior and the view around the machine. This puts the operator in a better position to work comfortably.



### NEW 7" COLOR LCD TOUCHSCREEN MONITOR

The new 7" LCD monitor provides a 75% increase in brightness and improved resolution over the previous monitor. Two additional buttons are included for easier control of features and navigation of menus. Operators can easily monitor engine rpm, engine oil and hydraulic oil temperatures, and fuel levels.



### ENVIRONMENTAL CONTROL

A full auto air conditioning system provides the operator with optimum air temperature.



### BLUETOOTH RADIO/USB CONNECTOR

Enjoy an advanced audio system with AM/FM stereo and USB/iPod connector. A Bluetooth hands-free feature is available.



### ERGONOMIC JOYSTICK

Ergonomically designed joysticks reduce operator fatigue during the workday.



### ACCELERATION DIAL WITH LED LIGHT

The acceleration dial is easy to control and recognizable in dark working conditions thanks to an LED light.



### ROLLER SHADE

Large upper roof glass provides additional visibility, and a roller shade is provided to reduce glare and sunlight.



### PEDALS

Pedals are designed for maximum comfort and spaced for low effort.

\*Features on these pages are exclusive to the CX57C and CX60C





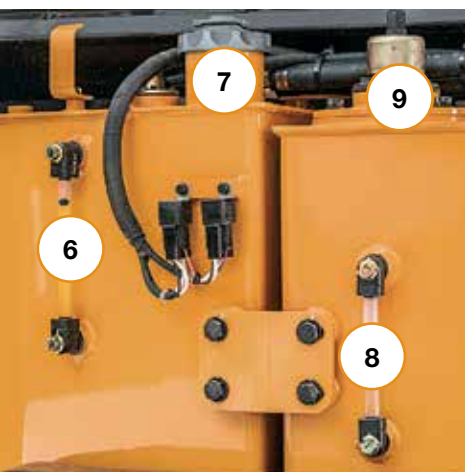
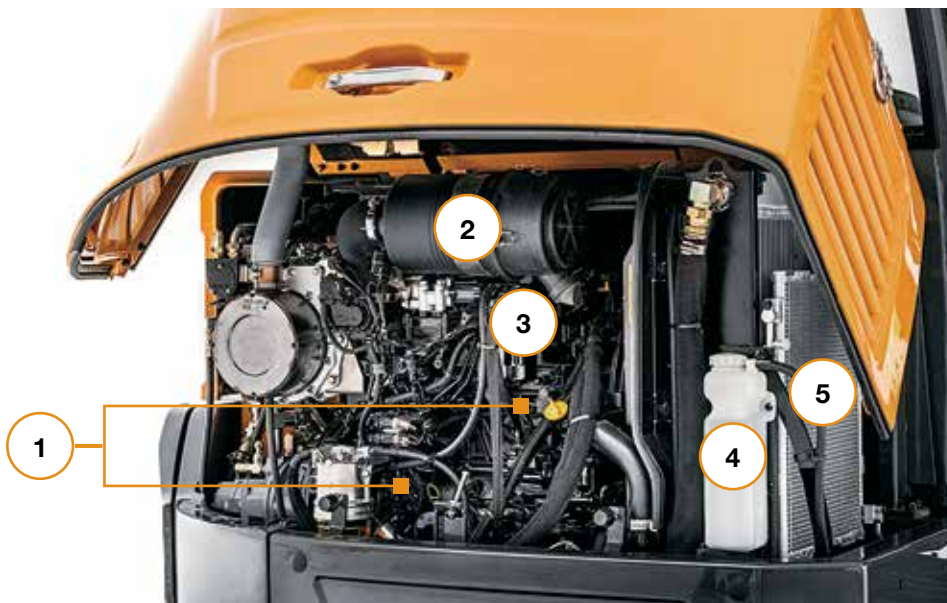
# MAINTENANCE MADE SIMPLE

## A CASE HALLMARK: GROUND LINE ACCESS

CASE C Series mini excavators are built for the toughest work you can throw at them — and we make service simple. From wide open swing-out access panels to ground-level sight gauges and service points, daily maintenance is performed in a matter of minutes. It's the easiest way to help you get the most performance and longer life out of your machine.



The CX60C also features a tilting cab for even greater access to maintenance points.



### EASY ACCESS TO EVERYTHING

- ① Engine oil check and fill
- ② Air filter
- ③ Fuel filter
- ④ Coolant reservoir
- ⑤ Radiator
- ⑥ Fuel sight gauge
- ⑦ Fuel fill
- ⑧ Hydraulic sight gauge
- ⑨ Hydraulic fill
- ⑩ Blade guards
- ⑪ Grouped grease points

**BASE WARRANTY COVERAGE:<sup>\*</sup>**  
**2-YEAR/3,000-HOUR FULL MACHINE**  
**LIMITED WARRANTY**

### **UPTIME SOLUTIONS**

Your CASE dealer can provide solutions to meet all your needs and keep you productive.

# SUPPORT COMES STANDARD



### **STRONGER PRODUCT SUPPORT SOLUTIONS**

Your CASE dealer knows how you can best maximize your equipment investment and uptime — with genuine CASE parts, expert service and a complete range of product support solutions including CASE remanufactured and all-makes parts. CASE supports better parts availability and faster deliveries through nine parts distribution centers in North America and a forecasting system to ensure that the right parts will be there when you need them. And only CASE dealers have exclusive access to the Electronic Service Tool (EST) that quickly pinpoints machine issues. Just ask your dealer for details.



### **FLEXIBLE FINANCIAL OPTIONS**

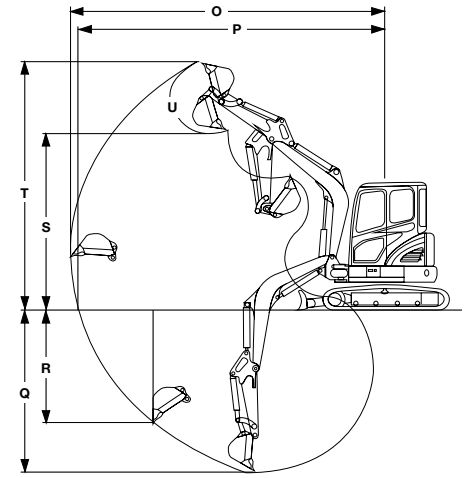
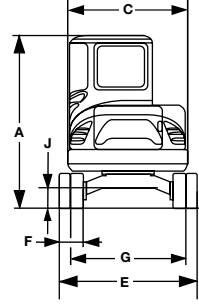
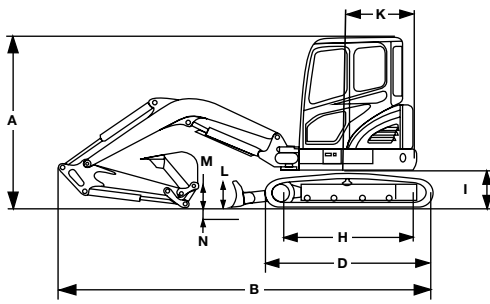
Specialized finance programs and flexible leasing packages are available for industry-leading CASE equipment while no-nonsense warranties and comprehensive protection plans ensure that your equipment is protected. As the only finance company dedicated to CASE, we offer strong products and services designed around your unique service needs.

<sup>\*</sup>See your dealer for the complete terms of CNH Industrial's Warranty and Limitations of Liability, which contains certain limits and exclusions.

# FEATURES AND OPTIONS

OPERATION	CX17C	CX26C	CX30C	CX37C	CX57C	CX60C
Tail Swing (zero applies to std. counterweight config. only)	Zero	Zero	Zero	Zero	Conventional	Minimal
Auto Shift 2-speed Travel System	✓	✓	✓	✓	✓	✓
Auto Idle System	-	-	-	✓	✓	✓
Engine Starting Limit Theft Deterrent	✓	✓	✓	✓	✓	✓
Travel Alarm	O	O	O	O	O	O
Fully Hydrostatic Drive System	✓	✓	✓	✓	✓	✓
Offset Swing Boom	✓	✓	✓	✓	✓	✓
Boom Swing Brake (spring applied, hydraulically released)	✓	✓	✓	✓	✓	✓
<b>OPERATOR ENVIRONMENT</b>						
LED Digital Instrument Cluster	✓	✓	✓	✓	-	-
7" Color LCD Touchscreen Monitor	-	-	-	-	✓	✓
Adjustable Suspension Seat w/ Seat Belt	✓	✓	✓	✓	✓	✓
Heated Seats	-	-	-	-	✓	✓
Pilot Operated Joysticks with Proportional Auxiliary Control	✓	✓	✓	✓	✓	✓
Adjustable Wrist Rests	✓	✓	✓	✓	✓	✓
Proportional Auxiliary Pedal Control	O	O	O	O	O	-
Foot Pedal Travel Control	-	✓	✓	✓	✓	✓
Boom Swing Pedal Control	✓	✓	✓	✓	✓	✓
Lockable Storage Compartment	-	✓	✓	✓	✓	✓
Two Post Canopy	✓	-	-	-	-	-
Four Post Canopy	-	✓	✓	✓	-	-
Enclosed Cab with Heat	-	O	O	-	-	-
Enclosed Cab with Heat and AC	-	-	-	O	✓	✓
Rear-view Camera	-	-	-	-	O	O
Automatic Climate Control	-	-	-	-	✓	✓
Bluetooth Radio w/ USB Connector (included with cab)	-	✓	✓	✓	✓	✓
Side Rearward Mirrors	-	✓	✓	✓	✓	✓
<b>HYDRAULICS</b>						
Standard Auxiliary Hydraulics (1-way/2-way combination)	✓	✓	✓	✓	✓	✓
Secondary Auxiliary Hydraulics (2-way)	-	O	O	O	O	O
Control Pattern Selector Valve	✓	✓	✓	✓	-	✓
Electronic Pattern Changer Switch (in cab)	-	-	-	-	✓	-
<b>EXTERIOR</b>						
Rubber Tracks	✓	✓	✓	✓	✓	✓
Steel Tracks	-	-	-	O	O	O
Steel Tracks with Rubber Pads	-	-	-	-	O	O
Rubber Link Tracks	-	-	-	-	O	O
Additional Counterweight	O	O	✓	O	✓	O
Variable Width Backfill Blade	✓	-	-	-	-	-
Variable Width Undercarriage	✓	-	-	-	-	-
2-way Hydraulic Backfill Blade	✓	✓	✓	✓	✓	✓
4-way Hydraulic Backfill Blade	-	-	-	O	O	O
Bucket Linkage with Lifting Hook	-	✓	✓	✓	✓	✓
Extended Length - Long Arm	O	O	-	O	O	O
Thumb Bracket	-	✓	✓	✓	✓	✓
Front Working Lights - Halogen	✓	✓	✓	✓	✓	✓
Front Working Lights - LED	O	O	O	O	O	O
LED Beacon	O	O	O	O	O	O
Cylinder Rod Protection (bucket, arm)	✓	-	-	-	-	-
Cylinder Rod Protection (boom, backfill blade)	✓	✓	✓	✓	✓	✓
<b>COUPLERS</b>						
Mechanical Pin Grabber	O	O	O	O	O	O
Hydraulic Pin Grabber	-	O	O	O	O	O
Klac Coupler	O	O	O	O	O	O

# DIMENSIONS AND SPECIFICATIONS



Line drawings are for illustrative purpose only and may not be exact representation of unit.  
NOTE: The dimensions and performance specs below are with the optional long arm configuration.

DIMENSIONS	CX17C	CX26C	CX30C	CX37C	CX57C	CX60C
<b>Arm</b>	3 ft 8 in (1.12 m)	4 ft 5 in (1.34 m)	3 ft 8 in (1.12 m)	5 ft 3 in (1.6 m)	6 ft 3 in (1.91 m)	6 ft 3 in (1.91 m)
<b>A. Overall Height</b>	7 ft 7 in (2 320 mm)	8 ft 2 in (2 500 mm)	8 ft 2 in (2 500 mm)	8 ft 2 in (2 500 mm)	8 ft 4 in (2 550 mm)	8 ft 4 in (2 550 mm)
<b>B. Overall Transport Length</b>	11 ft 5 in (3 480 mm)	13 ft 3 in (4 030 mm)	13 ft 9 in (4 180 mm)	15 ft 9 in (4 790 mm)	19 ft 4 in (5 900 mm)	18 ft 3 in (5 600 mm)
<b>C. Width of Upper Structure</b>	2 ft 11 in (890 mm)	4 ft 7 in (1 400 mm)	4 ft 10 in (1 485 mm)	5 ft 0 in (1 530 mm)	6 ft 1 in (1 850 mm)	6 ft 4 in (1 940 mm)
<b>D. Track Overall Length</b>	5 ft 3 in (1 590 mm)	6 ft 3 in (1 910 mm)	6 ft 6 in (1 970 mm)	7 ft 0 in (2 130 mm)	8 ft 4 in (2 530 mm)	8 ft 4 in (2 550 mm)
<b>E. Track Overall Width</b>	3 ft 3 in (990 mm)* 4 ft 3 in (1 300 mm)**	4 ft 11 in (1 500 mm)	5 ft 1 in (1 550 mm)	5 ft 9 in (1 740 mm)	6 ft 4 in (1 920 mm)	6 ft 6 in (1 990 mm)
<b>F. Track Shoe Width</b>	9.0 in (230 mm)	9.8 in (250 mm)	11.8 in (300 mm)	12 in (300 mm)	15 in (380 mm)	15 in (380 mm)
<b>G. Track Gauge</b>	2 ft 6 in (760 mm)* 3 ft 6 in (1 070 mm)**	4 ft 1 in (1 250 mm)	4 ft 1 in (1 250 mm)	4 ft 9 in (1 440 mm)	4 ft 11 in (1 500 mm)	5 ft 3 in (1 600 mm)
<b>H. Center to Center – Idler to Sprocket</b>	4 ft 0 in (1 230 mm)	4 ft 11 in (1 490 mm)	4 ft 11 in (1 490 mm)	5 ft 7 in (1 700 mm)	6 ft 6 in (1 990 mm)	6 ft 6 in (1 990 mm)
<b>I. Upper Structure Ground Clearance</b>	1 ft 5 in (440 mm)	1 ft 8 in (510 mm)	1 ft 8 in (510 mm)	1 ft 9 in (540 mm)	2 ft 3 in (690 mm)	2 ft 2 in (660 mm)
<b>J. Minimum Ground Clearance</b>	6.7 in (170 mm)	11 in (290 mm)	11 in (290 mm)	11 in (290 mm)	1 ft 3 in (380 mm)	1 ft 3 in (380 mm)
<b>K. Tail Swing Radius</b>	2 ft 1 in (645 mm) 2 ft 4 in (720 mm)***	2 ft 6 in (750 mm) 2 ft 10 in (875 mm)***	2 ft 6 in (750 mm) 2 ft 10 in (875 mm)***	2 ft 10 in (870 mm) 3 ft 3 in (985 mm)***	5 ft 5 in (1 650 mm)	3 ft 7 in (1 080 mm) 3 ft 9 in (1 138 mm)***
<b>Boom Swing</b>	70° left/54° right	75° left/50° right	75° left/50° right	75° left/50° right	80° left/50° right	70° left/50° right
<b>Tail Swing Overhang</b>	0 ft 0 in (0 mm) 0 ft 3 in (70 mm)***	0 ft 0 in (0 mm) 0 ft 5 in (125 mm)***	0 ft 0 in (0 mm) 0 ft 5 in (125 mm)***	0 ft 0 in (0 mm) 0 ft 5 in (115 mm)***	2 ft 3 in (690 mm)	0 ft 3 in (85 mm) 0 ft 6 in (143 mm)***
BLADE SPECS	CX17C	CX26C	CX30C	CX37C	CX57C	CX60C
<b>L. Backfill Blade Height</b>	9.8 in (250 mm)	1 ft 0 in (300 mm)	1 ft 1 in (330 mm)	1 ft 3 in (370 mm)	1 ft 2 in (350 mm)	1 ft 2 in (350 mm)
<b>M. Backfill Blade Rise Above Ground</b>	11.2 in (285 mm)	1 ft 1 in (330 mm)	1 ft 3 in (370 mm)	1 ft 3 in (375 mm)	1 ft 3 in (390 mm)	8 in (200 mm)
<b>N. Backfill Blade Dig Depth</b>	8.9 in (225 mm)	1 ft 3 in (380 mm)	1 ft 6 in (450 mm)	1 ft 3 in (390 mm)	1 ft 11 in (590 mm)	2 ft 4 in (700 mm)
<b>Backfill Blade Width</b>	4 ft 3 in (1 300 mm)	5 ft 0 in (1 500 mm)	5 ft 1 in (1 550 mm)	5 ft 9 in (1 740 mm)	6 ft 4 in (1 920 mm)	6 ft 7 in (2 010 mm)
PERFORMANCE SPECS	CX17C	CX26C	CX30C	CX37C	CX57C	CX60C
<b>O. Maximum Dig Radius</b>	13 ft 3 in (4 030 mm)	15 ft 4 in (4 680 mm)	15 ft 3 in (4 650 mm)	18 ft 5 in (5 605 mm)	21 ft 0 in (6 400 mm)	21 ft 3 in (6 480 mm)
<b>P. Dig Radius at Groundline</b>	12 ft 11 in (3 940 mm)	14 ft 11 in (4 540 mm)	14 ft 10 in (4 515 mm)	18 ft 0 in (5 495 mm)	20 ft 7 in (6 270 mm)	20 ft 10 in (6 350 mm)
<b>Q. Maximum Dig Depth</b>	7 ft 9 in (2 350 mm)	8 ft 8 in (2 645 mm)	8 ft 2 in (2 500 mm)	11 ft 3 in (3 440 mm)	13 ft 4 in (4 060 mm)	13 ft 1 in (3 990 mm)
<b>R. Vertical Straight Wall Dig Depth</b>	4 ft 10 in (1 460 mm)	5 ft 3 in (1 605 mm)	6 ft 10 in (2 085 mm)	8 ft 5 in (2 565 mm)	11 ft 4 in (3 460 mm)	11 ft 0 in (3 360 mm)
<b>S. Dump Height</b>	8 ft 10 in (2 670 mm)	9 ft 11 in (3 030 mm)	9 ft 7 in (2 930 mm)	11 ft 10 in (3 615 mm)	13 ft 9 in (4 180 mm)	13 ft 5 in (4 100 mm)
<b>T. Overall Reach Height</b>	12 ft 1 in (3 680 mm)	13 ft 11 in (4 235 mm)	14 ft 0 in (4 270 mm)	16 ft 7 in (5 010 mm)	19 ft 5 in (5 920 mm)	19 ft 2 in (5 850 mm)
<b>U. Bucket Rotation</b>	187°	168°	177°	180°	180°	180°
<b>Arm Digging Force – ISO</b>	1,710 lbf (775 kgf/7.6 kN)	2,880 lbf (1 300 kgf/12.8 kN)	3,080 lbf (1 397 kgf/13.7 kN)	3,800 lbf (1 720 kgf/16.9 kN)	6,460 lbf (2 930 kgf/28.7 kN)	5,035 lbf (2 280 kgf/22.4 kN)
<b>Bucket Digging Force – ISO</b>	3,490 lbf (1 580 kgf/15.5 kN)	4,740 lbf (2 150 kgf/21.1 kN)	4,520 lbf (2 050 kgf/20.1 kN)	6,900 lbf (3 130 kgf/30.7 kN)	9,550 lbf (4 330 kgf/42.4 kN)	9,190 lbf (4 170 kgf/40.9 kN)

\*Retracted, \*\*Extended, \*\*\*With Additional Counterweight

# DIMENSIONS AND SPECIFICATIONS (CONTINUED)

OPERATOR STATION	CX17C	CX26C	CX30C	CX37C	CX57C	CX60C
<b>Operator Environment</b>	TOPS/FOPS with 2-post canopy	ROPS/FOPS with 4-post canopy or Enclosed Cab	ROPS/FOPS with 4-post canopy or Enclosed Cab	ROPS/FOPS with 4-post canopy or Enclosed Cab	ROPS/FOPS Enclosed Cab	ROPS/FOPS Enclosed Cab
<b>Sound Level Inside Cab</b>	ISO 6396: 2008 sound pressure level LpA=76 bb (A)	ISO 6396: 2008 sound pressure level LpA=77bb (A)	ISO 6396: 2008 sound pressure level LpA=73.5bb (A)	ISO 6396: 2008 sound pressure level LpA=75bb (A)	ISO 6396: 2008 sound pressure level LpA=76bb (A)	ISO 6396: 2008 sound pressure level LpA=77bb (A)
OPERATING WEIGHT	CX17C	CX26C	CX30C	CX37C	CX57C	CX60C
<b>Type</b>	Canopy	Canopy	Canopy	Canopy	Cab	Cab
<b>Configuration</b>	Short arm	Short arm	Standard arm	Long arm	Long arm	Long arm
<b>Total</b>	3,910 lb (1 775 kg)	5,520 lb (2 505 kg)	6,306 lb (2 860 kg)	8,350 lb (3 790 kg)	12,320 lb (5 590 kg)	13,760 lb (6 240 kg)
ENGINE	CX17C	CX26C	CX30C	CX37C	CX57C	CX60C
<b>Model</b>	Kubota D902	Kubota D1305	Kubota D1305	Yanmar 3TNV88F-ESHYB	Yanmar 4TNV98C	Yanmar 4TNV98C
<b>Emissions Certification</b>	Tier 4 Final	Tier 4 Final	Tier 4 Final	Tier 4 Final (CEGR)	Tier 4 Final (CEGR/DPF)	Tier 4 Final (CEGR/DPF)
<b>Fuel</b>	Diesel	Diesel	Diesel	Diesel	Diesel	Diesel
<b>Cylinders</b>	3	3	3	3	4	4
<b>Displacement</b>	54.8 in <sup>3</sup> (898 cc)	77.0 in <sup>3</sup> (1 261 cc)	77.0 in <sup>3</sup> (1 261 cc)	100.2 in <sup>3</sup> (1 642 cc)	203 in <sup>3</sup> (3 319 cc)	203 in <sup>3</sup> (3 319 cc)
<b>Fuel Injection</b>	Mechanical	Mechanical	Mechanical	Mechanical w/ electronic governor	Electronic common rail	Electronic common rail
<b>Gross Horsepower – SAE J1995</b>	16.8 hp (12.5 kW) @ 2300 RPM	24.8 hp (18.5 kW) @ 2300 RPM	24.8 hp (18.5 kW) @ 2300 RPM	24.4 hp (18.2 kW) @ 2200 RPM	66.9 hp (49.9 kW) @ 2400 RPM	64.7 hp (48.3 kW) @ 2200 RPM
<b>Maximum Engine Torque</b>	39.5 lbf-ft (53.5 N-m) @ 1900 RPM	60.0 lbf-ft (81.4 N-m) @ 1600 RPM	60.0 lbf-ft (81.4 N-m) @ 1600 RPM	69.4 lbf-ft (94.1 N-m) @ 1200 RPM	173.7 lbf-ft (235.4 N-m) @ 1550 RPM	173.6 lbf-ft (235.4 N-m) @ 1560 RPM
<b>Cooling</b>	Water-cooled	Water-cooled	Water-cooled	Water-cooled	Water-cooled	Water-cooled
DRIVETRAIN	CX17C	CX26C	CX30C	CX37C	CX57C	CX60C
<b>Travel Speeds:</b> <b>1st</b> <b>2nd</b>	1.4 mph (2.2 kph) 2.6 mph (4.2 kph)	1.5 mph (2.4 kph) 2.7 mph (4.3 kph)	1.5 mph (2.4 kph) 2.7 mph (4.3 kph)	1.6 mph (2.5 kph) 2.6 mph (4.2 kph)	1.3 mph (2.1 kph) 2.5 mph (4.1 kph)	1.4 mph (2.2 kph) 2.5 mph (4.0 kph)
<b>Maximum Traction Force</b>	3,300 lb (1 420 kg)	3,300 lb (1 420 kg)	4,800 lb (2 177 kg)	6,835 lb (3 100 kg)	11,680 lb (5 300 kg)	11,680 lb (5 300 kg)
<b>Gradeability</b>	30° (58%)	30° (58%)	30° (58%)	30° (58%)	35° (70%)	35° (70%)
<b>Ground Pressure</b>	ROPS - 3.98 psi	ROPS - 4.3 psi CAB - 4.6 psi	ROPS - 3.8 psi CAB - 4.1 psi	ROPS - N/A CAB - 4.83 psi	CAB - 4.8 psi	CAB - 5.12 psi
SERVICE CAPACITIES	CX17C	CX26C	CX30C	CX37C	CX57C	CX60C
<b>Fuel Tank</b>	5.3 gal (20 L)	7.9 gal (30 L)	7.9 gal (30 L)	10.5 gal (40 L)	31.7 gal (120 L)	21.7 gal (82 L)
<b>Hydraulic Tank: Refill Capacity Total System</b>	3.4 gal (13 L) 6.1 gal (23 L)	7.1 gal (27 L) 14.5 gal (55 L)	7.1 gal (27 L) 14.5 gal (55 L)	9.8 gal (37 L) 15.9 gal (60 L)	18.5 gal (70 L) 31.7 gal (120 L)	15.9 gal (60 L) 29.1 gal (110 L)
<b>Engine Oil w/ Filter Change</b>	1.0 gal (3.7 L)	1.5 gal (5.7 L)	1.6 gal (5.9 L)	1.8 gal (6.7 L)	3.1 gal (11.6 L)	3.1 gal (11.6 L)
<b>Radiator</b>	0.9 gal (3.5 L)	1.3 gal (5 L)	1.3 gal (5 L)	1.5 gal (5.5 L)	2.5 gal (9.5 L)	2.9 gal (11 L)

# DIMENSIONS AND SPECIFICATIONS (CONTINUED)

ELECTRICAL	CX17C	CX26C	CX30C	CX37C	CX57C	CX60C
<b>Voltage</b>	12 Volts	12 Volts	12 Volts	12 Volts	12 Volts	12 Volts
<b>Alternator Rating</b>	40 amp	40 amp	40 amp	55 amp	60 amp	80 amp
<b>Battery</b>	1 x 12 V x 45 Ah 420 CCA	1 x 12 V x 58 Ah 680 CCA	1 x 12 V x 80 Ah 630 CCA	1 x 12 V x 70 Ah 750 CCA	1 x 12 V x 100 Ah 850 CCA	1 x 12 V x 100 Ah 850 CCA
HYDRAULICS	CX17C	CX26C	CX30C	CX37C	CX57C	CX60C
<b>Main Pumps</b>	Variable displacement tandem axial piston pump + gear pump	Variable displacement tandem axial piston pump + gear pump	Variable displacement tandem axial piston pump + gear pump	Variable displacement tandem axial piston pump + gear pump	Variable displacement tandem axial piston pump + gear pump	Variable displacement tandem axial piston pump + gear pump
<b>Maximum Rated Flow</b>	2 x 5 + 3 gpm (2 x 18.8 + 11.3 L/min)	2 x 7.3 + 5.2 gpm (2 x 27.6 + 19.6 L/min)	2 x 7.3 + 5.2 gpm (2 x 27.6 + 19.6 L/min)	2 x 9.9 + 6.1 gpm (2 x 37.4 + 23.1 L/min)	2 x 15.3 + 10.1 gpm (2 x 57.8 + 38.4 L/min)	2 x 14.5 + 10.1 gpm (2 x 55 + 38.4 L/min)
<b>Auxiliary Flow</b>	7.9 gpm @ 2988 psi (30 L/min @ 206 bar)	12.2 gpm @ 3133 psi (46 L/min @ 216 bar)	12.2 gpm @ 3133 psi (46 L/min @ 216 bar)	16.0 gpm @ 3278 psi (60.5 L/min @ 226 bar)	15.3 gpm @ 3133 psi (57.8 L/min @ 216 bar)	14.5 gpm @ 3133 psi (55 L/min @ 216 bar)
<b>System Relief Pressure: Standard Overload Relief Valve</b>	2,990 psi (206 bar) 3,270 psi (225 bar)	3,130 psi (216 bar) 3,410 psi (235 bar)	3,130 psi (216 bar) 3,410 psi (235 bar)	3,271 psi (226 bar) 3,556 psi (245 bar)	3,130 psi (216 bar) 3,410 psi (235 bar)	3,130 psi (216 bar) 3,410 psi (235 bar)
<b>Pilot Control Hydraulic System: Pump Maximum Capacity</b>	Gear Pump 1.8 gpm (6.8 L/min)	Gear Pump 2.7 gpm (10.4 L/min)	Gear Pump 2.7 gpm (10.4 L/min)	Gear Pump 2.6 gpm (9.9 L/min)	Gear Pump 2.5 gpm (9.5 L/min)	Gear pump 2.5 gpm (9.5 L/min)
<b>Control Valves</b>	Pilot control for boom, arm, bucket, and swing. Mechanical control for left/right track travel and backfill blade.					
<b>Swing: Motor</b>	- Fixed displacement axial piston motor - Automatic spring applied hydraulic released brake	- Fixed displacement axial piston motor - Automatic spring applied hydraulic released brake	- Fixed displacement axial piston motor - Automatic spring applied hydraulic released brake	- Fixed displacement axial piston motor - Automatic spring applied hydraulic released brake	- Fixed displacement axial piston motor - Automatic spring applied hydraulic released brake	- Fixed displacement axial piston motor - Automatic spring applied hydraulic released brake
<b>Travel: Motor</b>	- Variable displacement axial piston - 2-stage planetary	- Variable displacement axial piston - 2-stage planetary - Automatic spring applied hydraulic released brake	- Variable displacement axial piston - 2-stage planetary - Automatic spring applied hydraulic released brake	- Variable displacement axial piston - 2-stage planetary - Automatic spring applied hydraulic released brake	- Variable displacement axial piston - 2-stage planetary - Automatic spring applied hydraulic released brake	- Variable displacement axial piston - 2-stage planetary - Automatic spring applied hydraulic released brake
OTHER SPECIFICATIONS	CX17C	CX26C	CX30C	CX37C	CX57C	CX60C
<b>Swing Speed</b>	0 – 9.5 RPM	0 – 9.1 RPM	0 – 9.1 RPM	0 – 9.5 RPM	0 – 9.1 RPM	0 – 8.8 RPM
<b>Undercarriage: Track Rollers</b>	3 each	1 upper/3 lower each	1 upper/4 lower each	1 upper/4 lower each	1 upper/5 lower each	1 upper/5 lower each
<b>Boom: Length</b>	5 ft 11 in (1.8 m)	6 ft 5 in (1.95 m)	6 ft 8 in (2.03 m)	8 ft 2 in (2.5 m)	9 ft 10 in (3.0 m)	9 ft 6 in (2.9 m)
<b>Arm: Standard Length Long Arm Length</b>	3 ft 2 in (0.96 m) 3 ft 8 in (1.12 m)	3 ft 8 in (1.12 m) 4 ft 5 in (1.35 m)	3 ft 8 in (1.12 m) –	4 ft 3 in (1.3 m) 5 ft 3 in (1.6 m)	5 ft 3 in (1.6 m) 6 ft 3 in (1.9 m)	4 ft 10 in (1.48 m) 6 ft 3 in (1.9 m)

A large, stylized eagle with its wings spread, perched on a globe. The text "SINCE 1842" is written in a curved path above the eagle's head.

# BUILDING A STRONG CASE.

Since 1842, we at CASE Construction Equipment have lived by an unwavering commitment to build practical, intuitive solutions that deliver both efficiency and productivity.

We continually strive to make it easier for our customers to implement emerging technologies and new compliance mandates.

Today, our global scale combined with our local expertise enables us to keep customers' real-world challenges at the center of our product development. This focus has led to numerous innovations like Ride Control™, electro-hydraulic controls, Blade Shake, PowerLift™, over-center boom design and the peace of mind that only CASE ProCare provides.

Every CASE machine is backed by more than 300 North American dealer locations, thousands of OEM, remanufactured and all-makes parts, and flexible financing and insurance options that provide the kind of reliable, steadfast support you expect from a professional partner.

We are passionate about improving the lives of others, whether investing in our veterans or raising awareness about local infrastructure initiatives through Dire States. Our goal is to build both stronger machines — and stronger communities.

At the end of the day, we do what's right by our customers and our communities so that they can count on CASE.

[CaseCE.com/CSeries](https://www.casece.com/CSeries)

©2022 CNH Industrial America LLC. All rights reserved. CASE, CNH Industrial Capital and CNH Industrial Trademarks are registered in the United States and many other countries, owned by or licensed to CNH Industrial N.V., its subsidiaries or affiliates. Printed in U.S.A. Contains 10% post-consumer fiber.

**Form No. CCE202202MINIEXC**  
Replaces Form No. CCE202108MiniEXC

IMPORTANT: CASE Construction Equipment Inc. reserves the right to change these specifications without notice and without incurring any obligation relating to such change. Availability of some models and equipment builds vary according to the country in which the equipment is used. The illustrations and text may include optional equipment and accessories and may not include all standard equipment. Your CASE dealer/distributor will be able to give you details of the products and their specifications available in your area.



CASE Construction Equipment is biodiesel-friendly.

NOTE: All engines meet current EPA emissions regulations. All specifications are stated in accordance with SAE Standards or Recommended Practices, where applicable.



Always read the Operator's Manual before operating equipment. Inspect equipment before using it, and be sure it is operating properly. Follow the product safety signs and use any safety features provided.