



## ENGINE

Model	Yanmar 4TNV98C
Emissions Certification	Tier 4 Final
Fuel	Diesel
Cylinders	4
Displacement	203 in <sup>3</sup> (3 319 cc)
Fuel injection	Electronic common rail
Gross horsepower – SAE J1995 @ 2200 RPM:	64.7 hp (48.3 kW)
Net horsepower – SAE J1349 @ 2200 RPM:	63 hp (47 kW)
Maximum Engine Torque @ 1560 RPM:	173.6 lb ft (235.4 Nm)
Cooling	Water-cooled

## DRIVETRAIN

Travel speeds:	
1st	1.4 mph (2.2 kph)
2nd	2.5 mph (4.0 kph)
Maximum traction force	11,680 lb (5 300 kg)
Gradeability	35° (70%)
Ground pressure	5.12 psi (0.36 kgf/cm <sup>2</sup> )

## ELECTRICAL

Voltage	12 Volts
Alternator rating	80 amp
Battery	1 x 12 V x 100 Ah 850 CCA

## OPERATOR ENVIRONMENT

Enclosed cab w/heat and air conditioning; ISO 6396:2008 sound pressure level LpA=77dB (A); Pilot operated hand controls and foot pedals; Adjustable seat w/seat belt and seat heater; Arm rests; 12V socket; 5.7 in color LCD display; cup holder; Cell phone holder; Bluetooth radio with USB input, 2 speakers and remote control.

Display includes:

Hydraulic oil temp warning lamp; Air cleaner warning lamp; Engine stop warning lamp; Check engine warning lamp; Water in fuel warning lamp; Battery charging warning lamp; Emergency warning lamp; Engine coolant temp warning lamp; Engine oil pressure warning lamp; DPF regeneration inhibit warning lamp; DPF regeneration acknowledge warning lamp; DPF warning lamp; High Exhaust Temperature warning lamp; Low fuel level warning lamp; Engine coolant temperature gauge; Hydraulic oil temperature gauge; Fuel gauge; Engine RPM and Hour meter.

## OPERATING WEIGHT

Cab operating weight:	
Short arm	12,940 lb (5 870 kg)
Long arm w/additional counterweight	13,760 lb (6 240 kg)

NOTE: w/rubber tracks/no quick coupler/bucket/fluids/full of fuel/165 lb operator.

## HYDRAULICS

Main pumps:	Variable displacement tandem axial piston pump
Max rated flow:	2 x 14.5 + 10.1 gpm (2 x 55 + 38.4 L/min)

Auxiliary flow:

Hammer Circuit 1-way:	
Flow	14.5 gpm (55 L/min)
Pressure	3,133 psi (216 bar)
1st Auxiliary 2-way Circuit:	
Flow	14.5 gpm (55 L/min)
Pressure	3,133 psi (216 bar)
2nd Auxiliary 2-way Circuit:	
Flow	7.9 gpm (30 L/min)
Pressure	2,321 psi (160 bar)

System relief pressure:

Standard	3,130 psi (220 bar)
Overload relief valve	3,410 psi (240 bar)

Pilot control hydraulic system:

Pump	Gear pump
Maximum capacity	2.5 gpm (9.5 L/min)

Control valves:

Pilot control for boom, arm, bucket, and swing  
Mechanical control for left/right travel and backfill blade

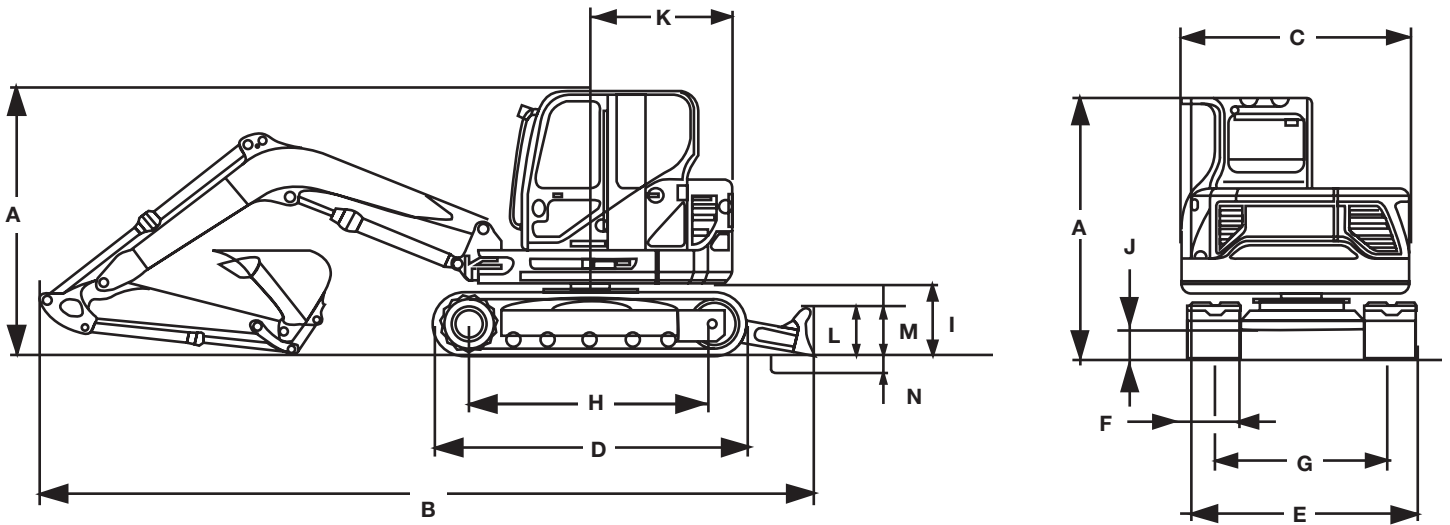
Swing Motor:	Fixed displacement axial piston motor Automatic spring applied hydraulic released brake
Travel Motor:	Variable displacement axial piston 2-stage planetary Automatic spring applied hydraulic released brake

## SERVICE CAPACITIES

Fuel tank	21.7 gal (82 L)
Hydraulic tank:	
Refill capacity	15.9 gal (60 L)
Total system	29.1 gal (110 L)
Engine oil w/filter change	3.1 gal (11.6 L)
Radiator	2.9 gal (11 L)

## OTHER SPECIFICATIONS

Swing speed	0 – 8.8 RPM
Undercarriage:	
Track rollers	1 upper/5 lower each
Boom:	
Swing	70° left/50° right
Length	9 ft 6 in (2.9 m)
Arm:	
Standard length	4 ft 10 in (1.48 m)
Long arm length	6 ft 3 in (1.9 m)



Line drawings are for illustrative purpose only and may not be exact representation of unit.

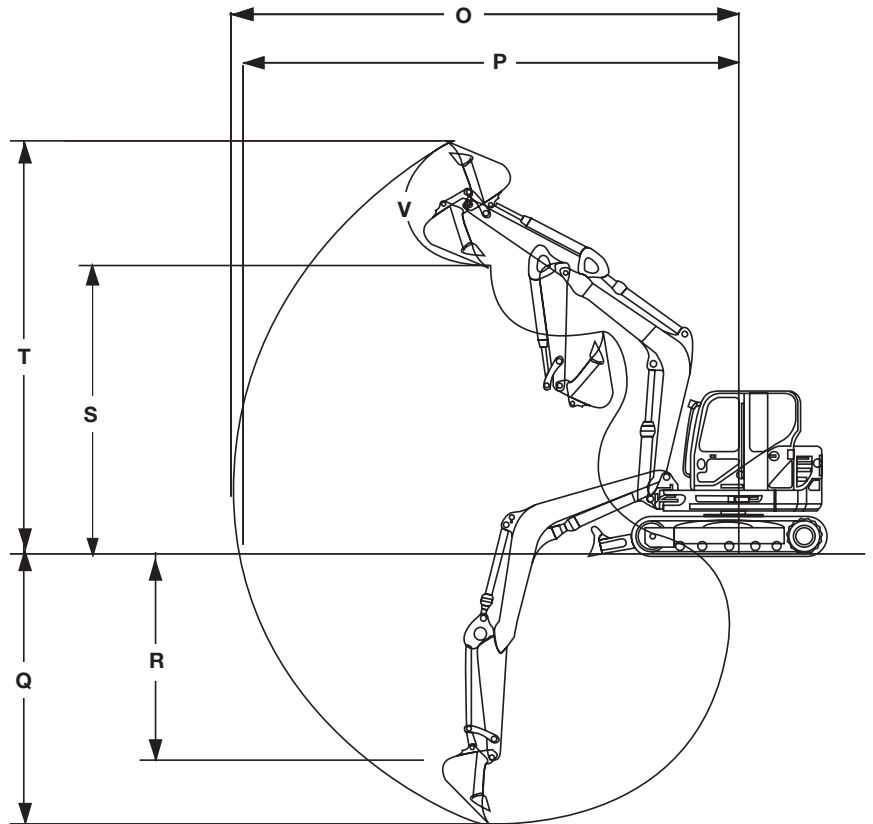
### DIMENSIONS

#### 4 ft 10 in (1.48 m) Arm

A. Overall height	8 ft 4 in (2 550 mm)
B. Overall transport length	18 ft 3 in (5 600 mm)
C. Width of upper structure	6 ft 4 in (1 940 mm)
D. Track overall length	8 ft 4 in (2 550 mm)
E. Track overall width	6 ft 6 in (1 990 mm)
F. Track shoe width	15 in (380 mm)
G. Track gauge	5 ft 3 in (1 600 mm)
H. Center to center - idler to sprocket	6 ft 6 in (1 990 mm)
I. Upper structure ground clearance	2 ft 2 in (660 mm)
J. Minimum ground clearance	1 ft 3 in (380 mm)
K. Tail swing radius:	
Standard counterweight	3 ft 7 in (1 080 mm)
Additional counterweight	3 ft 9 in (1 138 mm)
Boom swing	70° left/50° right
Tail swing overhang:	
Standard counterweight	3 in (85 mm)
Additional counterweight	6 in (143 mm)

### BLADE SPECS

L. Backfill blade height	1 ft 2 in (350 mm)
M. Backfill blade rise above ground	8 in (200 mm)
N. Backfill blade dig depth	2 ft 4 in (700 mm)
Backfill blade width	6 ft 7 in (2 010 mm)



### PERFORMANCE SPECS

#### 4 ft 10 in (1.48 m) Arm

#### 6 ft 3 in (1.9 m) Arm

O. Maximum dig radius	20 ft 2 in (6 150 mm)	21 ft 3 in (6 480 mm)
P. Dig radius at groundline	19 ft 9 in (6 010 mm)	20 ft 10 in (6 350 mm)
Q. Maximum dig depth	11 ft 9 in (3 570 mm)	13 ft 1 in (3 990 mm)
R. Vertical straight wall dig depth	10 ft 0 in (3 040 mm)	11 ft 0 in (3 360 mm)
S. Dump height	12 ft 11 in (3 930 mm)	13 ft 5 in (4 100 mm)
T. Overall reach height	18 ft 8 in (5 680 mm)	19 ft 2 in (5 850 mm)
U. Bucket rotation	180°	180°
Arm digging force - ISO	5,950 lbf (2 700 kgf/26.5 kN)	5,035 lbf (2 280 kgf/22.4 kN)
Bucket digging force - ISO	9,190 lbf (4 170 kgf/40.9 kN)	9,190 lbf (4 170 kgf/40.9 kN)

## LIFT CAPACITIES

**9 ft 6 in (2.9 m) Boom, 4 ft 10 in (1.48 m) Arm, Dozer Blade Down** Cab unit equipped with 0.18 m<sup>3</sup> (SAE heaped) bucket, 15 in (380 mm) rubber track and 1,036 lb (470 kg) counterweight.

Load/Lift Point Height	LOAD RADIUS								MAXIMUM REACH			
	7 ft (2.0 m)		10 ft (3.0 m)		13 ft (4.0 m)		16 ft (5.0 m)		REACH	CAPACITY		
	END	SIDE	END	SIDE	END	SIDE	END	SIDE		@	END	SIDE
+13 ft (4.0 m)					2,460 lb* (1 120 kg)*	1,990 lb (900 kg)				13 ft 10 in (4.22 m)	1,960 lb* (890 kg)*	1,780 lb (810 kg)
+10 ft (3.0 m)					2,590 lb* (1 180 kg)*	1,950 lb (880 kg)				15 ft 11 in (4.86 m)	1,880 lb* (850 kg)*	1,330 lb (600 kg)
+7 ft (2.0 m)			4,200 lb* (1 900 kg)*	2,990 lb (1 360 kg)	3,150 lb* (1 430 kg)*	1,830 lb (830 kg)	2,740 lb* (1 240 kg)*	1,220 lb (550 kg)		17 ft 0 in (5.18 m)	1,960 lb* (890 kg)*	1,130 lb (510 kg)
+3 ft (1.0 m)			5,880 lb* (2 670 kg)*	2,680 lb (1 220 kg)	3,810 lb* (1 730 kg)*	1,700 lb (770 kg)	2,990 lb* (1 350 kg)*	1,160 lb (530 kg)		17 ft 3 in (5.25 m)	2,210 lb* (1 000 kg)*	1,060 lb (480 kg)
Groundline	3,610 lb* (1 640 kg)*	3,610 lb* (1 640 kg)*	6,560 lb* (2 970 kg)*	2,540 lb (1 150 kg)	4,230 lb* (1 920 kg)*	1,610 lb (730 kg)	3,110 lb* (1 410 kg)*	1,120 lb (510 kg)		16 ft 8 in (5.09 m)	2,700 lb* (1 230 kg)*	1,090 lb (490 kg)
-3 ft (-1.0 m)	6,420 lb* (2 910 kg)*	5,250 lb (2 380 kg)	6,290 lb* (2 850 kg)*	2,510 lb (1 140 kg)	4,160 lb* (1 890 kg)*	1,580 lb (720 kg)				15 ft 3 in (4.65 m)	3,260 lb* (1 480 kg)*	1,250 lb (570 kg)
-7 ft (-2.0 m)	8,530 lb* (3 870 kg)*	5,380 lb (2 440 kg)	5,110 lb* (2 320 kg)*	2,570 lb (1 170 kg)						12 ft 7 in (3.83 m)	3,510 lb* (1 590 kg)*	1,740 lb (790 kg)

NOTE: Lifting capacity are based on ISO 10567.

Lifting capacity does not exceed 75% of tipping load with the machine on firm, level ground or 87% of full hydraulic capacity.

The lift point is a hook located on the back of the bucket.

\*Indicates load limited by hydraulic capacity.

**9 ft 6 in (2.9 m) Boom, 6 ft 3 in (1.9 m) Arm, Dozer Blade Down** Cab unit equipped with 0.18 m<sup>3</sup> (SAE heaped) bucket, 15 in (380 mm) rubber track and 1,477 lb (670 kg) counterweight.

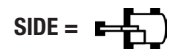
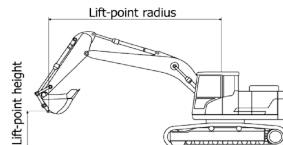
Load/Lift Point Height	LOAD RADIUS								MAXIMUM REACH			
	7 ft (2.0 m)		10 ft (3.0 m)		13 ft (4.0 m)		16 ft (5.0 m)		REACH	CAPACITY		
	END	SIDE	END	SIDE	END	SIDE	END	SIDE		@	END	SIDE
+13 ft (4.0 m)										15 ft 5 in (4.70 m)	1,430 lb* (650 kg)*	1,430 lb* (650 kg)*
+10 ft (3.0 m)					2,090 lb* (950 kg)*	2,090 lb* (950 kg)*	2,130 lb* (960 kg)*	1,400 lb (640 kg)		17 ft 3 in (5.27 m)	1,380 lb* (620 kg)*	1,250 lb (570 kg)
+7 ft (2.0 m)			3,260 lb* (1 480 kg)*	3,260 lb* (1 480 kg)*	2,680 lb* (1 210 kg)*	2,040 lb (920 kg)	2,410 lb* (1 090 kg)*	1,350 lb (610 kg)		18 ft 3 in (5.56 m)	1,420 lb* (650 kg)*	1,090 lb (490 kg)
+3 ft (1.0 m)			5,140 lb* (2 330 kg)*	3,000 lb (1 360 kg)	3,430 lb* (1 550 kg)*	1,880 lb (850 kg)	2,730 lb* (1 240 kg)*	1,270 lb (580 kg)		18 ft 6 in (5.63 m)	1,580 lb* (710 kg)*	1,020 lb (460 kg)
Groundline	3,590 lb* (1 630 kg)*	3,590 lb* (1 630 kg)*	6,250 lb* (2 840 kg)*	2,770 lb (1 260 kg)	3,990 lb* (1 810 kg)*	1,760 lb (800 kg)	2,980 lb* (1 350 kg)*	1,210 lb (550 kg)		18 ft 0 in (5.48 m)	1,880 lb* (850 kg)*	1,030 lb (470 kg)
-3 ft (-1.0 m)	5,480 lb* (2 490 kg)*	5,480 lb* (2 490 kg)*	6,370 lb* (2 890 kg)*	2,700 lb (1 220 kg)	4,150 lb* (1 880 kg)*	1,700 lb (770 kg)	2,950 lb* (1 340 kg)*	1,190 lb (540 kg)		16 ft 8 in (5.08 m)	2,510 lb* (1 140 kg)*	1,160 lb (520 kg)
-7 ft (-2.0 m)	8,080 lb* (3 670 kg)*	5,700 lb (2 590 kg)	5,630 lb* (2 550 kg)*	2,730 lb (1 240 kg)	3,680 lb* (1 670 kg)*	1,710 lb (780 kg)				14 ft 4 in (4.36 m)	3,140 lb* (1 420 kg)*	1,500 lb (680 kg)
-10 ft (-3.0 m)	6,020 lb* (2 730 kg)*	5,960 lb (2 700 kg)	3,460 lb* (1 570 kg)*	2,880 lb (1 300 kg)						9 ft 11 in (3.01 m)	3,450 lb* (1 570 kg)*	2,870 lb (1 300 kg)

NOTE: Lifting capacity are based on ISO 10567.

Lifting capacity does not exceed 75% of tipping load with the machine on firm, level ground or 87% of full hydraulic capacity.

The lift point is a hook located on the back of the bucket.

\*Indicates load limited by hydraulic capacity.



## STANDARD EQUIPMENT

### ENGINE

Yanmar 4TNV98C  
Engine access under rear hood  
Glow plug starting aid  
Dry type air cleaner with restriction indicator

### ELECTRICAL

12-volt electrical starting system  
Heavy-duty battery  
Battery Master Switch  
Key Start  
Anti-Theft-Engine starting passwords  
Front and rear working light  
12 V power outlet  
Auto-idle feature with on/off switch  
Horn  
Pre-wired – Telematics ready

### HYDRAULICS

Auxiliary hydraulics – independent single and bi-directional – and plumbing to arm  
Large hydraulic oil cooler  
Control pattern selector valve  
Cylinder rod protection covers – Backfill blade and Boom

### TRACK DRIVE

Rubber belt tracks  
Automatic 2-speed travel  
Fully hydrostatic drive system  
Sealed and lubricated track rollers  
Track tension adjustment – grease type

### UPPER STRUCTURE

Short radius tail swing  
Standard arm: 4 ft 10 in (1.48 m)  
Bucket linkage with lifting hook  
Thumb bracket

### OPERATOR ENVIRONMENT

See page 1

### OTHER

Swing boom – 70° left/50° right  
Hydraulic backfill blade

### WARRANTY

Base warranty coverage: 2-Year/3,000-Hour  
Full Machine Limited Warranty

## OPTIONAL EQUIPMENT

### OPERATOR ENVIRONMENT

Rearview camera  
Travel alarm

### TRACK OPTIONS

Tracks:  
Steel Tracks 1 ft 4 in (400 mm)  
Steel Tracks 1 ft 6 in (450 mm)  
Steel Tracks with bolt on Rubber Pads  
1 ft 4 in (400 mm)  
Roadliner tracks – steel chain with rubber grousers/shoes 1 ft 4 in (400 mm)  
Rubber Belt Tracks 1 ft 4 in (400 mm)  
Track guides for steel tracks and steel tracks with bolt on rubber track pads only:  
3-piece

### OTHER

Additional counterweight adds 440 lb (200 kg)  
Optional long arm: 6 ft 3 in (1.9 m)  
Hydraulic quick coupler provision  
Hydraulic coupler  
Klac coupler  
Mechanical coupler  
Hydraulic hammer  
Beacon  
2nd auxiliary circuit

CaseCE.com

©2021 CNH Industrial America LLC. All rights reserved. CASE is a trademark registered in the United States and many other countries, owned by or licensed to CNH Industrial N.V., its subsidiaries or affiliates. CNH Industrial Capital is a trademark in the United States and many other countries, owned by or licensed to CNH Industrial N.V., its subsidiaries or affiliates. Printed in U.S.A. Contains 10% post-consumer fiber.

IMPORTANT: CASE Construction Equipment Inc. reserves the right to change these specifications without notice and without incurring any obligation relating to such change. Availability of some models and equipment builds vary according to the country in which the equipment is used. The illustrations and text may include optional equipment and accessories and may not include all standard equipment. Your CASE dealer/distributor will be able to give you details of the products and their specifications available in your area.



CASE Construction Equipment is biodiesel-friendly. NOTE: All engines meet current EPA emissions regulations. All specifications are stated in accordance with SAE Standards or Recommended Practices, where applicable.



Always read the Operator's Manual before operating any equipment. Inspect equipment before using it, and be sure it is operating properly. Follow the product safety signs and use any safety features provided.

Form No. CCE202108CX60C  
Replaces Form No. CCE201709CX60C

CX60C

4 of 4