



ENGINE

Model	Kubota D1305
Emissions Certification	Tier 4 Final
Fuel	Diesel
Cylinders	3
Displacement	77.0 in ³ (1 261 cc)
Fuel injection	Mechanical
Gross horsepower – SAE J1995 @ 2300 RPM:	24.8 hp (18.5 kW)
Net horsepower – SAE J1349 @ 2300 RPM:	23.2 hp (17.3 kW)
Maximum Engine Torque @ 1600 RPM:	60.0 lb ft (81.4 Nm)
Cooling	Water-cooled

DRIVETRAIN

Travel speeds:	
1st	1.5 mph (2.4 kph)
2nd	2.7 mph (4.3 kph)
Maximum traction force	3,300 lb (1 420 kg)
Gradeability	30° (58%)
Ground pressure:	
Canopy	4.3 psi (0.3 kgf/cm ²)
Cab	4.6 psi (0.32 kgf/cm ²)

ELECTRICAL

Voltage	12 Volts
Alternator rating	40 amp
Battery	1 x 12 V x 58 Ah 680 CCA

OPERATOR ENVIRONMENT

ROPS/FOPS four post canopy; ISO 6396: 2008 sound pressure level LpA=77dB (A); Pilot operated hand controls and foot pedals; Adjustable seat w/seat belt; Arm rests; 12V socket.

Display includes:

Engine oil pressure lamp; Water temperature lamp; Low fuel warning lamp; Battery charge lamp; Engine preheat lamp; Travel speed lamp; Air cleaner warning lamp; Hyd. quick coupler lock lamp; High travel speed lamp; Water temperature gauge; Fuel gauge and Hour meter.

OPERATING WEIGHT

Canopy operating weight:	
Short arm	5,520 lb (2 505 kg)
Long arm w/additional counterweight	5,830 lb (2 645 kg)
Cab operating weight:	
Short arm	5,850 lb (2 655 kg)
Long arm w/additional counterweight	6,160 lb (2 795 kg)

NOTE: w/rubber tracks/no quick coupler/bucket/fluids/full of fuel/165 lb operator.

HYDRAULICS

Main pumps: Variable displacement tandem axial piston pump + gear pump
Max rated flow: 2 x 7.3 + 5.2 gpm
(2 x 27.6 + 19.6 L/min)

Auxiliary flow @ 3,133 psi (216 bar):
Primary 12.2 gpm (46 L/min)
Secondary 12.2 gpm (46 L/min)

System relief pressure:
Standard 3,130 psi (216 bar)
Overload relief valve 3,410 psi (235 bar)

Pilot control hydraulic system:
Pump Gear Pump
Maximum capacity 2.7 gpm (10.4 L/min)

Control valves:
Pilot control for boom, arm, bucket, and swing
Mechanical control for left/right travel and backfill blade

Swing motor: Fixed displacement axial piston motor
Automatic spring applied hydraulic released brake

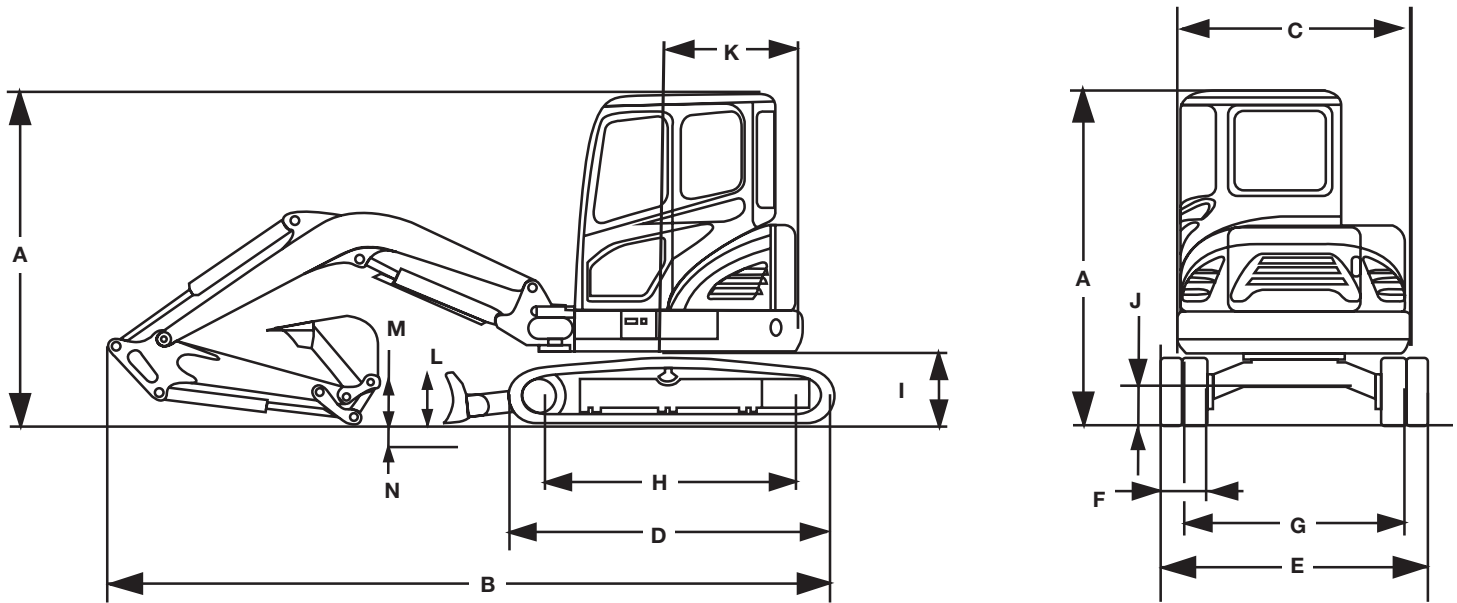
Travel motor: Variable displacement axial piston 2-stage planetary
Automatic spring applied hydraulic released brake

SERVICE CAPACITIES

Fuel tank	7.9 gal (30 L)
Hydraulic tank:	
Refill capacity	7.1 gal (27 L)
Total system	14.5 gal (55 L)
Engine oil w/filter change	1.5 gal (5.7 L)
Radiator	1.3 gal (5 L)

OTHER SPECIFICATIONS

Swing speed	0 – 9.1 RPM
Undercarriage:	
Track rollers	1 upper/3 lower each
Boom:	
Swing	75° left/50° right
Length	6 ft 5 in (1.95 m)
Arm:	
Standard length	3 ft 8 in (1.12 m)
Long arm length	4 ft 5 in (1.35 m)



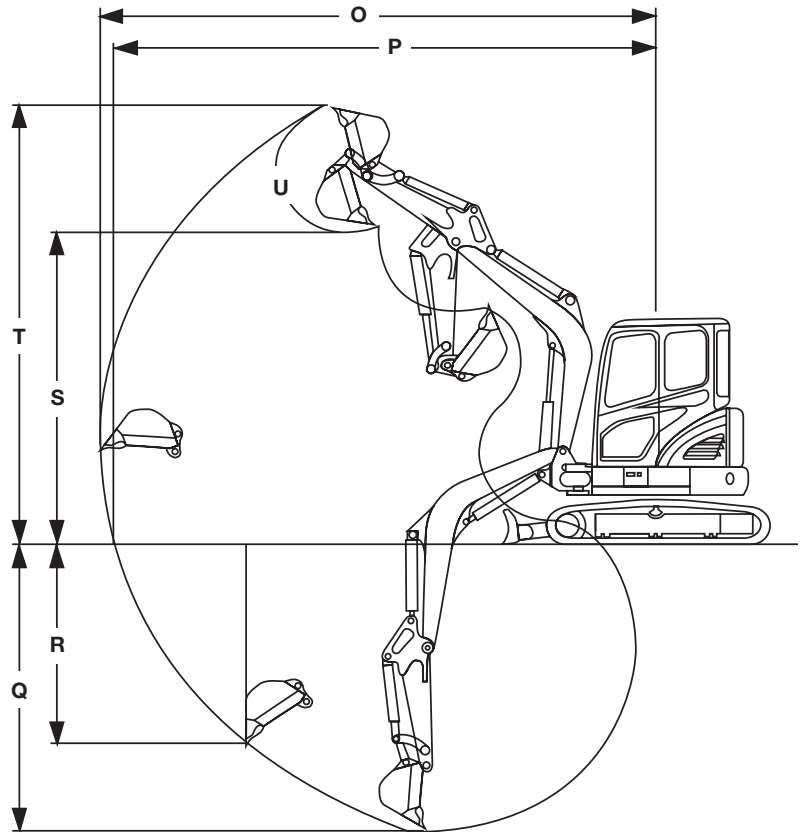
Line drawings are for illustrative purpose only and may not be exact representation of unit.

DIMENSIONS

	3 ft 8 in (1.12 m) Arm
A. Overall height	8 ft 2 in (2 500 mm)
B. Overall transport length	13 ft 3 in (4 030 mm)
C. Width of upper structure	4 ft 7 in (1 400 mm)
D. Track overall length	6 ft 3 in (1 910 mm)
E. Track overall width	4 ft 11 in (1 500 mm)
F. Track shoe width	9.8 in (250 mm)
G. Track Gauge	4 ft 1 in (1 250 mm)
H. Center to center - idler to sprocket	4 ft 11 in (1 490 mm)
I. Upper structure ground clearance	1 ft 8 in (510 mm)
J. Minimum ground clearance	11 in (290 mm)
K. Tail swing radius:	
Standard counterweight	2 ft 6 in (750 mm)
Additional counterweight	2 ft 10 in (875 mm)
Boom swing	75° left/50° right
Tail swing overhang:	
Standard counterweight	0 in (0 mm)
Additional counterweight	5 in (125 mm)

BLADE SPECS

L. Backfill blade height	1 ft 0 in (300 mm)
M. Backfill blade rise above ground	1 ft 1 in (330 mm)
N. Backfill blade dig depth	1 ft 3 in (380 mm)
Backfill blade width	5 ft 0 in (1 500 mm)



PERFORMANCE SPECS

	3 ft 8 in (1.12 m) Arm	4 ft 5 in (1.35 m) Arm
O. Maximum dig radius	14 ft 8 in (4 480 mm)	15 ft 4 in (4 680 mm)
P. Dig radius at groundline	14 ft 3 in (4 340 mm)	14 ft 11 in (4 540 mm)
Q. Maximum dig depth	7 ft 11 in (2 420 mm)	8 ft 8 in (2 645 mm)
R. Vertical straight wall dig depth	4 ft 10 in (1 460 mm)	5 ft 3 in (1 605 mm)
S. Dump height	9 ft 7 in (2 930 mm)	9 ft 11 in (3 030 mm)
T. Overall reach height	13 ft 7 in (4 150 mm)	13 ft 11 in (4 235 mm)
U. Bucket rotation	168°	168°
Arm digging force - ISO	3,280 lbf (1 490 kgf/14.6 kN)	2,880 lbf (1 300 kgf/12.8 kN)
Bucket digging force - ISO	4,740 lbf (2 150 kgf/21.1 kN)	4,740 lbf (2 150 kgf/21.1 kN)

LIFT CAPACITIES

6 ft 5 in (1.9 m) Boom, 3 ft 8 in (1.12 m) Arm, Dozer Blade Down Canopy unit equipped with 0.07 m³ (SAE heaped) bucket, 10 in (250 mm) rubber track and 258 lb (117 kg) counterweight.

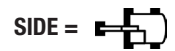
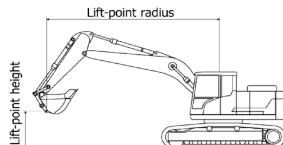
Load / Lift Point Height	LOAD RADIUS												MAXIMUM REACH			
	3 ft (1.0 m)		5 ft (1.5 m)		7 ft (2.0 m)		8 ft (2.5 m)		10 ft (3.0 m)		11 ft (3.5 m)		REACH	CAPACITY		
	END	SIDE	END	SIDE	END	SIDE	END	SIDE	END	SIDE	END	SIDE	@	END	SIDE	
+10 ft (3.0 m)										1,290 lb* (580 kg)*	800 lb (360 kg)			10 ft 4 in (3.16 m)	1,350 lb* (610 kg)*	720 lb (330 kg)
+8 ft (2.5 m)										1,280 lb* (580 kg)*	800 lb (360 kg)	1,350 lb* (610 kg)*	590 lb (270 kg)	11 ft 7 in (3.52 m)	1,300 lb* (590 kg)*	580 lb (260 kg)
+7 ft (2.0 m)							1,450 lb* (660 kg)*	1,080 lb (490 kg)	1,420 lb* (650 kg)*	780 lb (350 kg)	1,410 lb* (640 kg)*	580 lb (260 kg)	12 ft 4 in (3.75 m)	1,290 lb* (590 kg)*	510 lb (230 kg)	
+5 ft (1.5 m)					2,570 lb* (1 160 kg)*	1,500 lb (680 kg)	1,950 lb* (880 kg)*	1,020 lb (460 kg)	1,670 lb* (760 kg)*	750 lb (340 kg)	1,530 lb* (690 kg)*	570 lb (260 kg)	12 ft 9 in (3.88 m)	1,340 lb* (610 kg)*	470 lb (210 kg)	
+3 ft (1.0 m)					3,830 lb* (1 740 kg)*	1,380 lb (620 kg)	2,500 lb* (1 140 kg)*	960 lb (440 kg)	1,960 lb* (890 kg)*	710 lb (320 kg)	1,680 lb* (760 kg)*	550 lb (250 kg)	12 ft 10 in (3.92 m)	1,430 lb* (650 kg)*	450 lb (200 kg)	
+2 ft (0.5 m)					3,600 lb* (1 630 kg)*	1,300 lb (590 kg)	2,930 lb* (1 330 kg)*	920 lb (420 kg)	2,200 lb* (1 000 kg)*	690 lb (310 kg)	1,810 lb* (820 kg)*	530 lb (240 kg)	12 ft 9 in (3.88 m)	1,580 lb* (720 kg)*	440 lb (200 kg)	
Groundline	1,840 lb* (830 kg)*	1,840 lb* (830 kg)*	2,130 lb* (970 kg)*	2,130 lb* (970 kg)*	4,080 lb* (1 850 kg)*	1,280 lb (580 kg)	3,130 lb* (1 420 kg)*	890 lb (400 kg)	2,340 lb* (1 060 kg)*	670 lb (300 kg)	1,870 lb* (850 kg)*	520 lb (240 kg)	12 ft 4 in (3.75 m)	1,690 lb* (770 kg)*	460 lb (210 kg)	
-2 ft (-0.5 m)	2,690 lb* (1 220 kg)*	2,690 lb* (1 220 kg)*	3,260 lb* (1 480 kg)*	2,190 lb (990 kg)	4,470 lb* (2 030 kg)*	1,280 lb (580 kg)	3,110 lb* (1 410 kg)*	880 lb (400 kg)	2,330 lb* (1 060 kg)*	660 lb (300 kg)	1,810 lb* (820 kg)*	520 lb (230 kg)	11 ft 7 in (3.52 m)	1,790 lb* (810 kg)*	510 lb (230 kg)	
-3 ft (-1.0 m)	3,720 lb* (1 690 kg)*	3,720 lb* (1 690 kg)*	4,650 lb* (2 110 kg)*	2,210 lb (1 000 kg)	4,000 lb* (1 810 kg)*	1,290 lb (580 kg)	2,840 lb* (1 290 kg)*	890 lb (400 kg)	2,110 lb* (960 kg)*	660 lb (300 kg)			10 ft 5 in (3.17 m)	1,900 lb* (860 kg)*	610 lb (280 kg)	
-5 ft (-1.5 m)	4,970 lb* (2 260 kg)*	4,970 lb* (2 260 kg)*	4,810 lb* (2 180 kg)*	2,270 lb (1 030 kg)	3,110 lb* (1 410 kg)*	1,320 lb (600 kg)	2,190 lb* (990 kg)*	910 lb (410 kg)					8 ft 6 in (2.60 m)	2,020 lb* (920 kg)*	860 lb (390 kg)	

NOTE: Lifting capacity are based on ISO 10567.
 Lifting capacity does not exceed 75% of tipping load with the machine on firm, level ground or 87% of full hydraulic capacity.
 The lift point is a hook located on the back of the bucket.
 *indicates load limited by hydraulic capacity.

6 ft 5 in (1.9 m) Boom, 4 ft 5 in (1.35 m) Arm, Dozer Blade Down Canopy unit equipped with 0.07 m³ (SAE heaped) bucket, 10 in (250 mm) rubber track and 545 lb (247 kg) counterweight.

Load / Lift Point Height	LOAD RADIUS												MAXIMUM REACH				
	3 ft (1.0 m)		5 ft (1.5 m)		7 ft (2.0 m)		8 ft (2.5 m)		10 ft (3.0 m)		12 ft (3.5 m)		13 ft (4.0 m)		REACH	CAPACITY	
	END	SIDE	END	SIDE	END	SIDE	END	SIDE	END	SIDE	END	SIDE	END	SIDE	@	END	SIDE
+10 ft (3.0 m)															11 ft 3 in (3.43 m)	1,100 lb* (500 kg)*	740 lb (330 kg)
+8 ft (2.5 m)											1,170 lb* (530 kg)*	710 lb (320 kg)			12 ft 4 in (3.76 m)	1,060 lb* (480 kg)*	620 lb (280 kg)
+7 ft (2.0 m)									1,210 lb* (550 kg)*	930 lb (420 kg)	1,240 lb* (560 kg)*	700 lb (320 kg)			13 ft 0 in (3.97 m)	1,060 lb* (480 kg)*	550 lb (250 kg)
+5 ft (1.5 m)							1,620 lb* (740 kg)*	1,220 lb (550 kg)	1,470 lb* (670 kg)*	900 lb (410 kg)	1,380 lb* (630 kg)*	680 lb (310 kg)	1,340 lb* (610 kg)*	530 lb (240 kg)	13 ft 5 in (4.09 m)	1,090 lb* (490 kg)*	510 lb (230 kg)
+3 ft (1.0 m)					3,240 lb* (1 470 kg)*	1,660 lb (750 kg)	2,220 lb* (1 010 kg)*	1,160 lb (520 kg)	1,790 lb* (810 kg)*	860 lb (390 kg)	1,560 lb* (710 kg)*	660 lb (300 kg)	1,420 lb* (650 kg)*	520 lb (240 kg)	13 ft 7 in (4.13 m)	1,150 lb* (520 kg)*	490 lb (220 kg)
+2 ft (0.5 m)					4,210 lb* (1 910 kg)*	1,560 lb (710 kg)	2,730 lb* (1 240 kg)*	1,100 lb (500 kg)	2,070 lb* (940 kg)*	820 lb (370 kg)	1,720 lb* (780 kg)*	640 lb (290 kg)	1,500 lb* (680 kg)*	510 lb (230 kg)	13 ft 5 in (4.09 m)	1,260 lb* (570 kg)*	490 lb (220 kg)
Groundline	1,550 lb* (700 kg)*	1,550 lb* (700 kg)*	2,050 lb* (930 kg)*	2,050 lb* (930 kg)*	4,160 lb* (1 890 kg)*	1,510 lb (690 kg)	3,040 lb* (1 380 kg)*	1,060 lb (480 kg)	2,270 lb* (1 030 kg)*	800 lb (360 kg)	1,830 lb* (830 kg)*	630 lb (280 kg)		13 ft 1 in (3.98 m)	1,440 lb* (650 kg)*	510 lb (250 kg)	
-2 ft (-0.5 m)	2,280 lb* (1 030 kg)*	2,280 lb* (1 030 kg)*	2,900 lb* (1 320 kg)*	2,530 lb (1 150 kg)	4,590 lb* (2 080 kg)*	1,500 lb (680 kg)	3,130 lb* (1 420 kg)*	1,040 lb (470 kg)	2,340 lb* (1 060 kg)*	780 lb (360 kg)	1,850 lb* (840 kg)*	620 lb (280 kg)		12 ft 4 in (3.77 m)	1,640 lb* (740 kg)*	550 lb (230 kg)	
-3 ft (-1.0 m)	3,100 lb* (1 410 kg)*	3,100 lb* (1 410 kg)*	3,950 lb* (1 790 kg)*	2,550 lb (1 160 kg)	4,280 lb* (1 940 kg)*	1,500 lb (680 kg)	2,990 lb* (1 360 kg)*	1,040 lb (470 kg)	2,240 lb* (1 020 kg)*	780 lb (360 kg)				11 ft 3 in (3.44 m)	1,750 lb* (790 kg)*	640 lb (290 kg)	
-5 ft (-1.5 m)	4,080 lb* (1 850 kg)*	4,080 lb* (1 850 kg)*	5,350 lb* (2 430 kg)*	2,600 lb (1 180 kg)	3,620 lb* (1 640 kg)*	1,530 lb (690 kg)	2,560 lb* (1 160 kg)*	1,060 lb (480 kg)						9 ft 9 in (2.96 m)	1,890 lb* (860 kg)*	820 lb (370 kg)	
-7 ft (-2.0 m)			3,620 lb* (1 640 kg)*	2,680 lb (1 220 kg)	2,310 lb* (1 050 kg)*	1,580 lb (720 kg)								7 ft 0 in (2.12 m)	2,090 lb* (950 kg)*	1,430 lb (650 kg)	

NOTE: Lifting capacity are based on ISO 10567.
 Lifting capacity does not exceed 75% of tipping load with the machine on firm, level ground or 87% of full hydraulic capacity.
 The lift point is a hook located on the back of the bucket.
 *indicates load limited by hydraulic capacity.



STANDARD EQUIPMENT

ENGINE

Kubota D1305 diesel
Engine access under rear hood
Glow plug starting aid
Dry type air cleaner with restriction indicator

ELECTRICAL

12-volt electrical starting system
Heavy-duty battery
Battery Master Switch
Key Start
Anti-Theft-Engine starting passwords
Front working light
12 V power outlet
Horn
Pre-wired – Telematics ready

HYDRAULICS

Auxiliary hydraulics – single/bi-directional – and plumbing to arm
Large hydraulic oil cooler
Control pattern selector valve
Cylinder rod protection covers – Backfill blade and Boom

TRACK DRIVE

Rubber belt tracks
Automatic 2-speed travel
Fully hydrostatic drive system
Sealed and lubricated track rollers
Track tension adjustment – grease type

UPPER STRUCTURE

Zero tail swing
Standard arm: 3 ft 8 in (1.12 m)
Bucket linkage with lifting hook

OPERATOR ENVIRONMENT

See page 1

OTHER

Swing boom – 75° left/50° right
Hydraulic backfill blade

WARRANTY

Base warranty coverage: 2-Year/3,000-Hour
Full Machine Limited Warranty

OPTIONAL EQUIPMENT

OPERATOR ENVIRONMENT

Cab with Heat and Radio with USB and 2 speakers
Travel alarm

OTHER

Additional counterweight adds 286 lb (130 kg)
Optional long arm: 4 ft 5 in (1.35 m)
Thumb bracket
Hydraulic quick coupler provision
Hydraulic coupler
Klacc coupler
Mechanical coupler
Hydraulic hammer
Beacon
2nd auxiliary circuit
Hydraulic thumb

CaseCE.com

©2021 CNH Industrial America LLC. All rights reserved. CASE is a trademark registered in the United States and many other countries, owned by or licensed to CNH Industrial N.V., its subsidiaries or affiliates. CNH Industrial Capital is a trademark in the United States and many other countries, owned by or licensed to CNH Industrial N.V., its subsidiaries or affiliates. Printed in U.S.A. Contains 10% post-consumer fiber.

IMPORTANT: CASE Construction Equipment Inc. reserves the right to change these specifications without notice and without incurring any obligation relating to such change. Availability of some models and equipment builds vary according to the country in which the equipment is used. The illustrations and text may include optional equipment and accessories and may not include all standard equipment. Your CASE dealer/distributor will be able to give you details of the products and their specifications available in your area.



CASE Construction Equipment is biodiesel-friendly. NOTE: All engines meet current EPA emissions regulations. All specifications are stated in accordance with SAE Standards or Recommended Practices, where applicable.



Always read the Operator's Manual before operating any equipment. Inspect equipment before using it, and be sure it is operating properly. Follow the product safety signs and use any safety features provided.

Form No. CCE202108CX26C
Replaces Form No. CCE201709CX26C

CX26C

4 of 4