



## ENGINE

|   |  |
|---|--|
| Model                                   | Isuzu AQ-6HK1X   |
| Emissions Certification                 | Tier 4 Final   |
| Fuel                                    | Requires ultra-low sulfur fuel<br>B5 biodiesel tolerant  |
| Type                                    | Water-cooled, 4-cycle diesel,<br>6-cylinder in-line high pressure<br>common rail system – electric control,<br>VGT Turbocharger w/ air cooled<br>intercooler, SCR system |
| Cylinders                               | 6-cylinder in-line   |
| Displacement                            | 475 in <sup>3</sup> (7.8 L)  |
| Bore/Stroke                             | 4.53 x 4.92 in<br>(115 x 125 mm)   |
| Fuel injection                          | Direct injection – electronic  |
| Fuel filter                             | Replaceable,<br>full flow spin-on cartridge  |
| Air filter                              | Dry type element<br>w/ warning restriction indicator   |
| Oil filter                              | Replaceable,<br>full flow spin-on cartridge  |
| Engine gradeability:                    |  |
| Side-to-side                            | 35°  |
| Fore and aft                            | 35°  |
| Net horsepower – SAE J1349 @ 1900 RPM:  | 268 hp (200 kW)  |
| Net max. torque – SAE J1349 @ 1500 RPM: | 728 lbf-ft (988 N·m)   |
| Cooling operating range:                | 122° to -4°F (50° to -20°C)  |
| Oil                                     | Requires low-ash oil CJ-4  |

## DRIVETRAIN

|                     |  |
|---------------------|--|
| Travel control      | Dual stage relief/<br>counter balance design |
| Brakes              | Mechanical disc                              |
| Service brakes      | SAHR disc – each motor                       |
| Two speed travel:   |  |
| Max. high speed     | 3.4 mph (5.5 km/h)                           |
| Max. low speed      | 2.1 mph (3.3 km/h)                           |
| Automatic downshift |  |
| Drawbar pull        | 61,373 lbf (273 kN)                          |
| Gradeability        | 70% – 35° Slope                              |

## ELECTRICAL

|                          |                 |
|--------------------------|-----------------|
| Voltage                  | 24 Volts        |
| Alternator rating        | 50 amp          |
| Batteries                | 2 x 12 Volt     |
| Battery reserve capacity | 128 Ah/5 hour   |
| Work lights – 4          | 24 Volt/70 watt |
| 1 boom, 1 upper, 2 cab   |                 |

## OPERATOR ENVIRONMENT

|   |   |
|---|---|
| Air conditioner output  | 18,100 BTU/hr                           |
| Heater output   | 20,150 BTU/hr                           |
| Sound level inside cab – ISO6395  | 71 dBA                                  |
| Electrical outlet   | 12 Volt                                 |
| Cab interior light  | 10 watt                                 |
| Rear view camera  | Standard                                |
| Seat  | Air-suspension, heated and 65° tiltable |
| Monitor:  |   |
| Rear view and side view – optional camera display; Mode 1: work mode; Travel mode; Attachment selection; Auto idle indicator; Fuel consumption gauge; Power boost icon; Fuel bar graph; Oil temperature bar graph; DEF/AdBlue bar graph; Auto glow indicator; Auxiliary mode display; Hour meter; Camera angle indicator; Mode 2: free swing/swing lock indicator; Light icon; Wiper icon; Mute icon; Seat belt icon; Warning messages; Time and date; Water temperature bar graph; DEF/AdBlue refill icon; Anti-theft icon; DTC indicator; Low output icon; SCR cleaning icon; SCR warning icons; Freeze protection; Trip meter; Pressure reading. |   |

### Seat:

High-back seat w/ heat and air suspension; Adjustments: 65° tilt, manual weight, seat height headrest, lumbar support, backrest angle, pivoting armrests linked to consoles; Retractable seat belt and control consoles adjust independently of seat.

## ATTACHMENT

|                       |                     |
|-----------------------|---------------------|
| Boom                  | 21 ft 2 in (6.45 m) |
| HD Boom               | 21 ft 2 in (6.45 m) |
| Arm options:          |                     |
| Standard              | 10 ft 8 in (3.25 m) |
| Short                 | 8 ft 8 in (2.63 m)  |
| Long                  | 13 ft 3 in (4.04 m) |
| Bucket digging force* | 51,638 lbf (230 kN) |
| w/ Auto Power-Boost   | 56,157 lbf (250 kN) |

NOTE: \*Digging force ratings based on ISO6015.

## OPERATING WEIGHT

|                  |                       |
|------------------|-----------------------|
| Operating weight | 82,483 lb (37 414 kg) |
| w/ shoes         | 2 ft 7 in (800 mm)    |
| w/ boom          | 21 ft 2 in (6.45 m)   |
| w/ arm           | 10 ft 8 in (3.25 m)   |
| w/ bucket        | 2,601 lb (1 180 kg)   |
| w/ counterweight | 16,314 lb (7 400 kg)  |

NOTE: W/ operator/full fuel/standard equipment.

## GROUND PRESSURE

@ Standard operating weight 7.5 psi (0.52 bar)  
w/ 31.5 in (800 mm) triple semi-grouser shoes

## HYDRAULICS

|   |   |
|---|---|
| System design   | Open center   |
| Main pumps  | Two-variable displacement/<br>axial piston          |
| Max. rated flow   | 79.3 gpm (300 L/min)                                |
| System pressures:   |   |
| Boom, arm and bucket  | 4,975 psi (343 bar)                                 |
| w/ Power Boost  | 5,410 psi (373 bar)                                 |
| Travel circuits   | 4,975 psi (343 bar)                                 |
| Swing circuits  | 4,409 psi (304 bar)                                 |
| Pilot pump  | 1 x gear design                                     |
| Max. capacity   | 7.5 gpm (28.5 L/min)                                |
| Controls  | w/ boom/arm holding valve                           |
| Right track travel, bucket, boom and arm acceleration.          | 1 x Four-spool section                              |
| Left track travel, auxiliary, swing, boom and arm acceleration. | 1 x Five-spool section                              |
| Work mode selections  | SP: Speed Priority<br>H: Heavy-Duty<br>A: Automatic |
| Swing motor   | Fixed displacement<br>axial piston                  |
| Swing final drive   | Planetary gear reduction                            |
| Travel motor  | Two-speed independent<br>travel/axial piston        |

## HYDRAULIC CYLINDERS

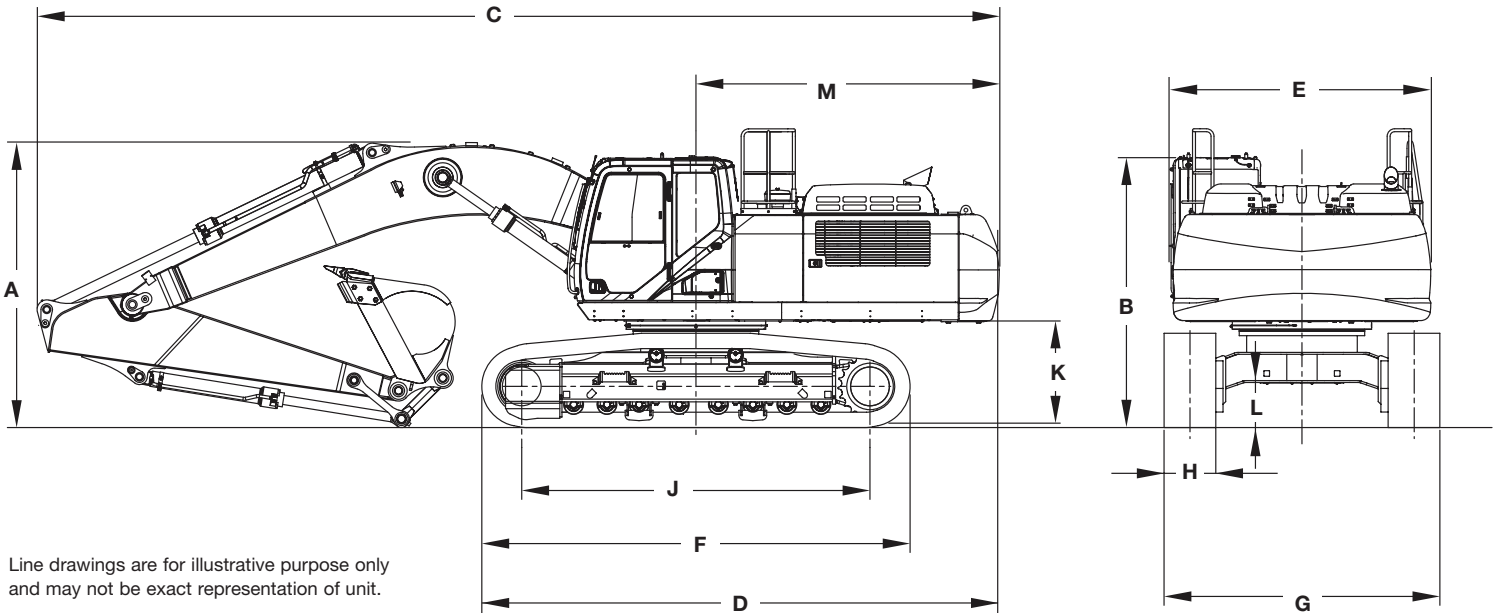
|                       |                    |
|-----------------------|--------------------|
| Boom cylinders        | Two (2)            |
| Cylinder bore         | 5.7 in (145 mm)    |
| Cylinder rod diameter | 3.9 in (100 mm)    |
| Cylinder stroke       | 58.9 in (1 495 mm) |
| Arm cylinder          | One (1)            |
| Cylinder bore         | 6.7 in (170 mm)    |
| Cylinder rod diameter | 4.7 in (120 mm)    |
| Cylinder stroke       | 68.8 in (1 748 mm) |
| Bucket cylinder       | One (1)            |
| Cylinder bore         | 5.9 in (150 mm)    |
| Cylinder rod diameter | 4.1 in (105 mm)    |
| Cylinder stroke       | 47.6 in (1 210 mm) |

## SERVICE CAPACITIES

|                      |                   |
|----------------------|-------------------|
| Fuel tank            | 153.2 gal (580 L) |
| Hydraulic system     | 92.5 gal (350 L)  |
| Hydraulic tank       | 46.2 gal (175 L)  |
| Engine oil w/ filter | 12.7 gal (48 L)   |
| Swing drive          | 1.3 gal (5 L)     |
| Final drive          | 2.5 gal (9.5 L)   |
| Cooling system       | 10.0 gal (38 L)   |
| DEF Tank             | 40.2 gal (152 L)  |

## OTHER SPECIFICATIONS

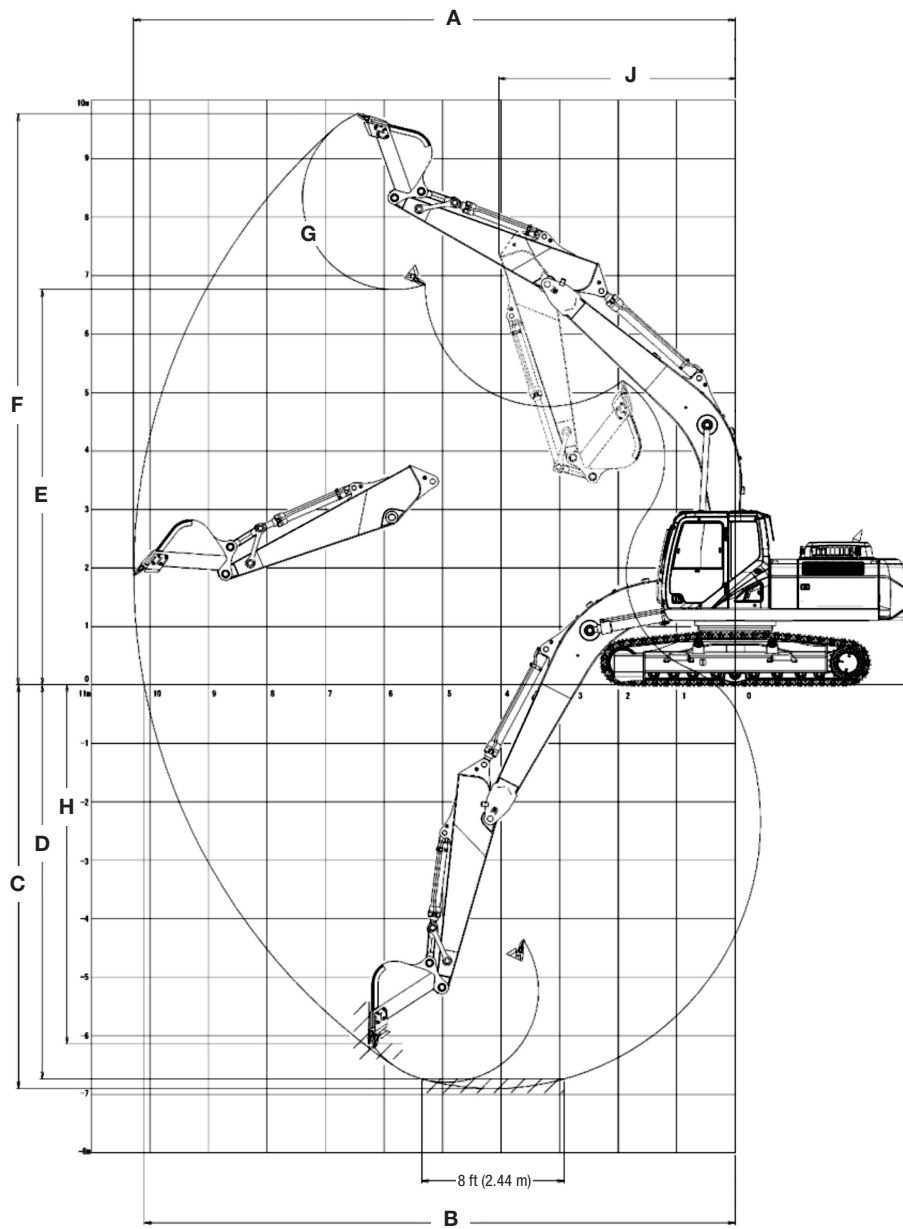
|                        |                            |
|------------------------|----------------------------|
| Swing speed            | 9.7 RPM                    |
| Swing torque           | 82,607 lbf-ft (112 kN-m)   |
| Swing brake            | Mechanical disc            |
| Undercarriage:         |                            |
| Length                 | 16 ft 4 in (4 980 mm)      |
| Track gauge            | 8 ft 6 in (2 600 mm)       |
| Carrier rollers        | 2                          |
| Track rollers          | 8                          |
| Shoes – triple grouser | 48                         |
| Shoe width – std.      | 2 ft 7 in (800 mm)         |
| Link pitch             | 8.5 in (216 mm)            |
| Track:                 |                            |
| Chain                  | Grease lubricated/strutted |
| Guides                 | Double                     |
| Adjustment             | Hydraulic                  |



## DIMENSIONS

|  | 10 ft 8 in (3.25 m) Arm | 8 ft 8 in (2.63 m) Arm  | 13 ft 3 in (4.04 m) Arm |
|--|-------------------------|-------------------------|-------------------------|
| A. Overall height – with attachment                | 11 ft 5 in (3 470 mm)   | 11 ft 11 in (3 630 mm)  | 11 ft 11 in (3 620 mm)  |
| B. Cab height                                      | 10 ft 5 in (3 180 mm)   | 10 ft 5 in (3 180 mm)   | 10 ft 5 in (3 180 mm)   |
| Overall height to top of guardrail                 | 11 ft 5 in (3 470 mm)   | 11 ft 5 in (3 470 mm)   | 11 ft 5 in (3 470 mm)   |
| C. Overall length – with attachment                | 36 ft 8 in (11 170 mm)  | 36 ft 10 in (11 220 mm) | 36 ft 9 in (11 190 mm)  |
| D. Overall length – without attachment             | 19 ft 9 in (6 010 mm)   | 19 ft 9 in (6 010 mm)   | 19 ft 9 in (6 010 mm)   |
| E. Width of upper structure                        | 9 ft 11 in (3 030 mm)   | 9 ft 11 in (3 030 mm)   | 9 ft 11 in (3 030 mm)   |
| Width of upper structure with catwalks             | 11 ft 9 in (3 590 mm)   | 11 ft 9 in (3 590 mm)   | 11 ft 9 in (3 590 mm)   |
| F. Track overall length                            | 16 ft 4 in (4 980 mm)   | 16 ft 4 in (4 980 mm)   | 16 ft 4 in (4 980 mm)   |
| G. Track overall width with 31.5 in (800 mm) shoes | 11 ft 2 in (3 400 mm)   | 11 ft 2 in (3 400 mm)   | 11 ft 2 in (3 400 mm)   |
| H. Track shoe width                                | 2 ft 7 in (800 mm)      | 2 ft 7 in (800 mm)      | 2 ft 7 in (800 mm)      |
| J. Center to center – idler to sprocket            | 13 ft 3 in (4 040 mm)   | 13 ft 3 in (4 040 mm)   | 13 ft 3 in (4 040 mm)   |
| K. Upper structure ground clearance                | 4 ft 0 in (1 210 mm)    | 4 ft 0 in (1 210 mm)    | 4 ft 0 in (1 210 mm)    |
| L. Minimum ground clearance                        | 1 ft 7 in (470 mm)      | 1 ft 7 in (470 mm)      | 1 ft 7 in (470 mm)      |
| M. Rear tail swing radius                          | 11 ft 8 in (3 550 mm)   | 11 ft 8 in (3 550 mm)   | 11 ft 8 in (3 550 mm)   |
| Operating weight*                                  | 82,483 lb (37 414 kg)   | 82,373 lb (37 364 kg)   | 83,144 lb (37 714 kg)   |
| Ground pressure                                    | 7.5 psi (0.52 bar)      | 7.5 psi (0.52 bar)      | 7.7 psi (0.53 bar)      |

NOTE: \*With 21 ft 2 in (6.45 m) boom, 31.5 in (800 mm) track shoe, 2,601 lb (1 180 kg) bucket, 165 lb (75 kg) operator, full fuel and standard equipment.



### PERFORMANCE SPECS

|   | 10 ft 8 in (3.25 m) Arm | 8 ft 8 in (2.63 m) Arm  | 13 ft 3 in (4.04 m) Arm |
|---|-------------------------|-------------------------|-------------------------|
| <b>A.</b> Maximum dig radius                          | 36 ft 8 in (11 170 mm)  | 34 ft 11 in (10 650 mm) | 39 ft 1 in (11 900 mm)  |
| <b>B.</b> Dig radius at groundline                    | 36 ft 0 in (10 980 mm)  | 34 ft 3 in (10 450 mm)  | 38 ft 5 in (11 710 mm)  |
| <b>C.</b> Maximum dig depth                           | 24 ft 1 in (7 340 mm)   | 22 ft 1 in (6 720 mm)   | 26 ft 8 in (8 140 mm)   |
| <b>D.</b> Dig depth – 8 ft 0 in (2.44 m) level bottom | 23 ft 7 in (7 190 mm)   | 21 ft 5 in (6 540 mm)   | 26 ft 3 in (8 010 mm)   |
| <b>E.</b> Dump height                                 | 23 ft 9 in (7 240 mm)   | 23 ft 4 in (7 110 mm)   | 24 ft 8 in (7 530 mm)   |
| <b>F.</b> Maximum reach height                        | 34 ft 1 in (10 380 mm)  | 33 ft 9 in (10 280 mm)  | 34 ft 11 in (10 650 mm) |
| <b>G.</b> Bucket rotation                             | 173°                    | 173°                    | 173°                    |
| <b>H.</b> Maximum vertical wall dig depth             | 20 ft 10 in (6 340 mm)  | 19 ft 7 in (5 980 mm)   | 23 ft 0 in (7 010 mm)   |
| <b>J.</b> Minimum swing radius                        | 14 ft 10 in (4 510 mm)  | 14 ft 7 in (4 440 mm)   | 14 ft 10 in (4 530 mm)  |
| Arm digging force:                                    |                         |                         |                         |
| Standard  | 36,981 lbf (165 kN)     | 43,770 lbf (195 kN)     | 31,473 lbf (140 kN)     |
| Power Boost   | 40,196 lbf (179 kN)     | 47,592 lbf (212 kN)     | 34,216 lbf (152 kN)     |
| Bucket digging force:                                 |                         |                         |                         |
| Standard  | 51,639 lbf (230 kN)     | 51,639 lbf (230 kN)     | 51,639 lbf (230 kN)     |
| Power Boost   | 56,157 lbf (250 kN)     | 56,157 lbf (250 kN)     | 56,157 lbf (250 kN)     |

NOTE: \*Machine equipped with 21 ft 2 in (6.45 m) boom.

**LIFT CAPACITIES**

**10 ft 8 in (3.25 m) Arm** Lift capacities calculated using a 2,579 lb (1 170 kg) bucket, 16,314 lb (7 400 kg) counterweight.

| Load<br>(Lift Point)<br>Height | 5 ft<br>(1.5 m)            |                            | 10 ft<br>(3 m)             |                            | 15 ft<br>(4.5 m)           |                            | 20 ft<br>(6 m)             |                           | 25 ft<br>(7.5 m)           |                           | 30 ft<br>(9 m)            |                          | 35 ft<br>(10.5 m)        |                        | MAXIMUM REACH           |                           |                           |
|--------------------------------|----------------------------|----------------------------|----------------------------|----------------------------|----------------------------|----------------------------|----------------------------|---------------------------|----------------------------|---------------------------|---------------------------|--------------------------|--------------------------|------------------------|-------------------------|---------------------------|---------------------------|
|                                | END                        | SIDE                       | END                        | SIDE                       | END                        | SIDE                       | END                        | SIDE                      | END                        | SIDE                      | END                       | SIDE                     | END                      | SIDE                   | @                       | END                       | SIDE                      |
|                                |                            |                            |                            |                            |                            |                            |                            |                           |                            |                           |                           |                          |                          |                        |                         |                           |                           |
| +30 ft<br>(9 m)                |                            |                            |                            |                            |                            |                            |                            |                           |                            |                           |                           |                          |                          |                        | 26 ft 7 in<br>(8.23 m)  | 8,850 lb*<br>(3 980 kg)*  | 8,850 lb*<br>(3 980 kg)*  |
| +25 ft<br>(7.5 m)              |                            |                            |                            |                            |                            |                            |                            |                           | 14,350 lb*<br>(6 750 kg)*  | 14,350 lb*<br>(6 750 kg)* | 9,950 lb*<br>(5 330 kg)*  | 9,950 lb*<br>(5 330 kg)* |                          |                        | 30 ft 6 in<br>(9.37 m)  | 8,250 lb*<br>(3 740 kg)*  | 8,250 lb*<br>(3 740 kg)*  |
| +20 ft<br>(6 m)                |                            |                            |                            |                            |                            |                            |                            |                           | 16,150 lb*<br>(7 380 kg)*  | 16,150 lb*<br>(7 380 kg)* | 14,650 lb*<br>(6 690 kg)* | 12,000 lb<br>(5 600 kg)  |                          |                        | 33 ft 0 in<br>(10.11 m) | 8,050 lb*<br>(3 660 kg)*  | 8,050 lb*<br>(3 660 kg)*  |
| +15 ft<br>(4.5 m)              |                            |                            |                            |                            | (7 700 kg)*                | (7 700 kg)*                | 20,900 lb*<br>(9 660 kg)*  | 20,900 lb*<br>(9 660 kg)* | 17,700 lb*<br>(8 180 kg)*  | 16,000 lb<br>(7 440 kg)   | 15,700 lb*<br>(7 270 kg)* | 11,650 lb<br>(5 430 kg)  | (4 040 kg)*              | (4 040 kg)             | 34 ft 7 in<br>(10.55 m) | 8,150 lb*<br>(3 700 kg)*  | 8,150 lb*<br>(3 700 kg)*  |
| +10 ft<br>(3 m)                |                            |                            | 45,450 lb*<br>(17 480 kg)* | 45,450 lb*<br>(17 480 kg)* | 33,950 lb*<br>(15 750 kg)* | 33,300 lb*<br>(15 450 kg)  | 24,700 lb*<br>(11 440 kg)  | 21,800 lb<br>(10 110 kg)  | 20,000 lb*<br>(9 230 kg)*  | 15,250 lb<br>(7 080 kg)   | 17,050 lb*<br>(7 850 kg)* | 11,250 lb<br>(5 230 kg)  | 9,550 lb*<br>(5 450 kg)* | 8,450 lb<br>(3 960 kg) | 35 ft 3 in<br>(10.73 m) | 8,450 lb*<br>(3 830 kg)*  | 8,350 lb<br>(3 780 kg)    |
| +5 ft<br>(1.5 m)               |                            |                            | 17,200 lb*<br>(7 290 kg)*  | 17,200 lb*<br>(7 290 kg)*  | 39,150 lb*<br>(17 950 kg)* | 31,550 lb<br>(14 650 kg)   | 27,900 lb*<br>(12 900 kg)* | 20,450 lb<br>(9 500 kg)   | 21,850 lb*<br>(10 080 kg)* | 14,500 lb<br>(6 750 kg)   | 16,850 lb<br>(7 830 kg)   | 10,800 lb<br>(5 030 kg)  | 9,500 lb*<br>(5 600 kg)* | 8,300 lb<br>(3 860 kg) | 35 ft 1 in<br>(10.69 m) | 8,950 lb*<br>(4 070 kg)*  | 8,250 lb<br>(3 730 kg)    |
| Groundline                     |                            |                            | 23,350 lb*<br>(10 360 kg)* | 23,350 lb*<br>(10 360 kg)* | 40,950 lb*<br>(18 830 kg)* | 30,000 lb<br>(13 940 kg)   | 29,600 lb*<br>(13 680 kg)* | 19,500 lb<br>(9 060 kg)   | 21,950 lb<br>(10 200 kg)   | 13,950 lb<br>(6 480 kg)   | 16,450 lb<br>(7 660 kg)   | 10,500 lb<br>(4 880 kg)  |                          |                        | 34 ft 2 in<br>(10.43 m) | 9,850 lb*<br>(4 460 kg)*  | 8,500 lb<br>(3 850 kg)    |
| -5 ft<br>(-1.5 m)              | 23,250 lb*<br>(10 400 kg)* | 23,250 lb*<br>(10 400 kg)* | 31,800 lb*<br>(14 140 kg)* | 31,800 lb*<br>(14 140 kg)* | 40,800 lb*<br>(18 840 kg)* | 29,700 lb*<br>(13 810 kg)  | 29,700 lb*<br>(13 720 kg)* | 19,050 lb<br>(8 850 kg)   | 21,600 lb<br>(10 040 kg)   | 13,650 lb<br>(6 340 kg)   | 16,350 lb<br>(7 590 kg)   | 10,350 lb<br>(4 810 kg)  |                          |                        | 32 ft 6 in<br>(9.92 m)  | 11,300 lb*<br>(5 090 kg)* | 9,200 lb<br>(4 150 kg)    |
| -10 ft<br>(-3 m)               | 32,100 lb*<br>(14 390 kg)* | 32,100 lb*<br>(14 390 kg)* | 43,100 lb*<br>(19 080 kg)* | 43,100 lb*<br>(19 080 kg)* | 38,800 lb*<br>(17 930 kg)* | 30,000 lb<br>(13 950 kg)   | 28,700 lb*<br>(13 280 kg)* | 19,200 lb<br>(8 910 kg)   | 21,600 lb<br>(10 030 kg)   | 13,750 lb<br>(6 390 kg)   | (7 620 kg)                | (4 900 kg)               |                          |                        | 29 ft 10 in<br>(9.13 m) | 13,700 lb*<br>(6 160 kg)* | 10,550 lb<br>(4 750 kg)   |
| -15 ft<br>(-4.5 m)             | 43,000 lb*<br>(19 170 kg)* | 43,000 lb*<br>(19 170 kg)* | 47,750 lb*<br>(22 150 kg)* | 47,750 lb*<br>(22 150 kg)* | 34,100 lb*<br>(15 830 kg)* | 30,500 lb<br>(14 180 kg)   | 25,400 lb*<br>(11 840 kg)* | 19,700 lb<br>(9 140 kg)   | 18,450 lb*<br>(8 750 kg)*  | 14,350 lb<br>(6 650 kg)   |                           |                          |                          |                        | 26 ft 1 in<br>(8.01 m)  | 16,150 lb*<br>(7 300 kg)* | 13,200 lb<br>(5 900 kg)   |
| -20 ft<br>(-6 m)               |                            |                            | 33,900 lb*<br>(16 040 kg)* | 33,900 lb*<br>(16 040 kg)* | 24,850 lb*<br>(11 800 kg)* | 24,850 lb*<br>(11 800 kg)* | 16,900 lb*<br>(8 300 kg)*  | 16,900 lb*<br>(8 300 kg)* |                            |                           |                           |                          |                          |                        | 20 ft 7 in<br>(6.40 m)  | 15,350 lb*<br>(7 040 kg)* | 15,350 lb*<br>(7 040 kg)* |

**8 ft 8 in (2.63 m) Arm** Lift capacities calculated using a 2,734 lb (1 240 kg) bucket, 16,314 lb (7 400 kg) counterweight.

| Load<br>(Lift Point)<br>Height | 5 ft<br>(1.5 m)            |                            | 10 ft<br>(3 m)             |                            | 15 ft<br>(4.5 m)           |                            | 20 ft<br>(6 m)             |                          | 25 ft<br>(7.5 m)          |                           | 30 ft<br>(9 m)            |                         | MAXIMUM REACH |                       |                           |                           |                           |
|--------------------------------|----------------------------|----------------------------|----------------------------|----------------------------|----------------------------|----------------------------|----------------------------|--------------------------|---------------------------|---------------------------|---------------------------|-------------------------|---------------|-----------------------|---------------------------|---------------------------|---------------------------|
|                                | END                        | SIDE                       | END                        | SIDE                       | END                        | SIDE                       | END                        | SIDE                     | END                       | SIDE                      | END                       | SIDE                    | @             | END                   | SIDE                      |                           |                           |
|                                |                            |                            |                            |                            |                            |                            |                            |                          |                           |                           |                           |                         |               |                       |                           |                           |                           |
| +30 ft<br>(9 m)                |                            |                            |                            |                            |                            |                            |                            |                          |                           |                           |                           |                         |               | 24 ft 1 in<br>(7.5 m) | 12,500 lb*<br>(5 620 kg)* | 12,500 lb*<br>(5 620 kg)* |                           |
| +25 ft<br>(7.5 m)              |                            |                            |                            |                            |                            |                            |                            |                          | 16,250 lb*<br>(7 400 kg)* | 16,250 lb*<br>(7 400 kg)* |                           |                         |               |                       | 28 ft 5 in<br>(8.75 m)    | 11,550 lb*<br>(5 230 kg)* | 11,550 lb*<br>(5 230 kg)* |
| +20 ft<br>(6 m)                |                            |                            |                            |                            |                            |                            |                            |                          | 17,450 lb*<br>(7 970 kg)* | 16,150 lb<br>(7 500 kg)   | 15,650 lb*<br>(7 140 kg)* | 11,500 lb<br>(5 390 kg) |               |                       | 31 ft 2 in<br>(9.55 m)    | 11,250 lb*<br>(5 080 kg)* | 10,600 lb<br>(4 770 kg)   |
| +15 ft<br>(4.5 m)              |                            |                            |                            |                            | 27,700 lb*<br>(12 770 kg)* | 27,700 lb*<br>(12 770 kg)* | 22,350 lb*<br>(10 350 kg)* | 22,000 lb<br>(10 210 kg) | 18,700 lb*<br>(8 650 kg)* | 15,500 lb<br>(7 210 kg)   | 16,550 lb*<br>(7 640 kg)* | 11,250 lb<br>(5 250 kg) |               |                       | 32 ft 10 in<br>(10.02 m)  | 11,250 lb*<br>(5 110 kg)* | 9,450 lb<br>(4 250 kg)    |
| +10 ft<br>(3 m)                |                            |                            |                            |                            | 33,400 lb*<br>(15 460 kg)* | 32,900 lb<br>(15 520 kg)   | 25,900 lb*<br>(12 010 kg)* | 21,100 lb<br>(9 780 kg)  | 20,700 lb*<br>(9 550 kg)* | 14,800 lb<br>(6 870 kg)   | 16,900 lb<br>(7 870 kg)   | 10,850 lb<br>(5 070 kg) |               |                       | 33 ft 6 in<br>(10.21 m)   | 11,550 lb*<br>(5 260 kg)* | 8,850 lb<br>(4 020 kg)    |
| +5 ft<br>(1.5 m)               |                            |                            |                            |                            | 38,600 lb*<br>(17 850 kg)* | 30,450 lb<br>(14 130 kg)   | 28,550 lb*<br>(13 210 kg)* | 19,850 lb<br>(9 220 kg)  | 22,000 lb*<br>(10 220 kg) | 14,100 lb<br>(6 560 kg)   | 16,500 lb<br>(7 680 kg)   | 10,500 lb<br>(4 890 kg) |               |                       | 33 ft 5 in<br>(10.17 m)   | 12,200 lb*<br>(5 550 kg)* | 8,750 lb<br>(3 970 kg)    |
| Groundline                     |                            |                            |                            |                            | 40,600 lb*<br>(18 720 kg)* | 29,350 lb<br>(13 650 kg)   | 29,550 lb*<br>(13 660 kg)* | 19,050 lb<br>(8 850 kg)  | 21,600 lb<br>(10 050 kg)  | 13,600 lb<br>(6 330 kg)   | 16,250 lb<br>(7 550 kg)   | 10,250 lb<br>(4 770 kg) |               |                       | 32 ft 5 in<br>(9.89 m)    | 13,350 lb*<br>(6 050 kg)* | 9,100 lb<br>(4 120 kg)    |
| -5 ft<br>(-1.5 m)              | 21,500 lb*<br>(9 280 kg)*  | 21,500 lb*<br>(9 280 kg)*  | 32,150 lb*<br>(14 270 kg)* | 32,150 lb*<br>(14 270 kg)* | 39,850 lb*<br>(18 380 kg)* | 29,550 lb<br>(13 740 kg)   | 29,300 lb*<br>(13 520 kg)* | 18,850 lb<br>(8 750 kg)  | 21,400 lb<br>(9 960 kg)   | 13,450 lb<br>(6 250 kg)   | 16,300 lb<br>(7 560 kg)   | 10,300 lb<br>(4 780 kg) |               |                       | 30 ft 8 in<br>(9.35 m)    | 15,200 lb*<br>(6 880 kg)* | 9,950 lb<br>(4 510 kg)    |
| -10 ft<br>(-3 m)               | 35,450 lb*<br>(15 900 kg)* | 35,450 lb*<br>(15 900 kg)* | 46,900 lb*<br>(20 730 kg)* | 46,900 lb*<br>(20 730 kg)* | 36,800 lb*<br>(17 000 kg)* | 30,000 lb<br>(13 950 kg)   | 27,500 lb*<br>(12 750 kg)* | 19,100 lb<br>(8 880 kg)  | 20,850 lb*<br>(9 720 kg)* | 13,800 lb<br>(6 390 kg)   |                           |                         |               |                       | 27 ft 10 in<br>(8.51 m)   | 16,450 lb*<br>(7 470 kg)* | 11,700 lb<br>(5 270 kg)   |
| -15 ft<br>(-4.5 m)             |                            |                            | 41,400 lb*<br>(19 220 kg)* | 41,400 lb*<br>(19 220 kg)* | 30,700 lb*<br>(14 290 kg)* | 30,050 lb<br>(13 980 kg)   | 22,750 lb*<br>(10 680 kg)* | 19,650 lb<br>(9 120 kg)  |                           |                           |                           |                         |               |                       | 23 ft 9 in<br>(7.3 m)     | 15,850 lb*<br>(7 150 kg)* | 15,250 lb<br>(6 800 kg)   |

NOTE: \*Lift capacities do not exceed 75% of the minimum tipping load or 87% of the hydraulic lift capacity. Capacities that are marked with an asterisk are hydraulic limited.

**LIFT CAPACITIES**

**13 ft 0 in (4.04 m) Arm** Lift capacities calculated using a 2,315 lb (1 050 kg) bucket, 16,314 lb (7 400 kg) counterweight.

| Load<br>(Lift Point)<br>Height | 5 ft<br>(1.5 m)            |                            | 10 ft<br>(3 m)             |                            | 15 ft<br>(4.5 m)           |                            | 20 ft<br>(6 m)             |                          | 25 ft<br>(7.5 m)          |                         | 30 ft<br>(9 m)            |                         | 35 ft<br>(10.5 m)        |                        | MAXIMUM REACH           |                           |                          |                          |
|--------------------------------|----------------------------|----------------------------|----------------------------|----------------------------|----------------------------|----------------------------|----------------------------|--------------------------|---------------------------|-------------------------|---------------------------|-------------------------|--------------------------|------------------------|-------------------------|---------------------------|--------------------------|--------------------------|
|                                | END                        | SIDE                       | END                        | SIDE                       | END                        | SIDE                       | END                        | SIDE                     | END                       | SIDE                    | END                       | SIDE                    | END                      | SIDE                   | @                       | END                       | SIDE                     |                          |
| +30 ft<br>(9 m)                |                            |                            |                            |                            |                            |                            |                            |                          |                           |                         |                           | (3 620 kg)*             | (3 620 kg)*              |                        |                         | 29 ft 9 in<br>(9.19 m)    | 6,650 lb*<br>(2 990 kg)* | 6,650 lb*<br>(2 990 kg)* |
| +25 ft<br>(7.5 m)              |                            |                            |                            |                            |                            |                            |                            |                          |                           |                         |                           |                         |                          |                        |                         | 33 ft 3 in<br>(10.20 m)   | 6,250 lb*<br>(2 820 kg)* | 6,250 lb*<br>(2 820 kg)* |
| +20 ft<br>(6 m)                |                            |                            |                            |                            |                            |                            |                            |                          |                           |                         |                           |                         |                          |                        |                         | 35 ft 7 in<br>(10.88 m)   | 6,100 lb*<br>(2 760 kg)* | 6,100 lb*<br>(2 760 kg)* |
| +15 ft<br>(4.5 m)              |                            |                            |                            |                            |                            |                            |                            |                          |                           |                         |                           |                         |                          |                        |                         | 37 ft 0 in<br>(11.28 m)   | 6,150 lb*<br>(2 790 kg)* | 6,150 lb*<br>(2 790 kg)* |
| +10 ft<br>(3 m)                |                            |                            | (10 320 kg)*               | (10 320 kg)*               | 29,600 lb*<br>(13 770 kg)* | 29,600 lb*<br>(13 770 kg)* | 22,400 lb*<br>(10 350 kg)* | 21,900 lb<br>(10 160 kg) | 18,450 lb*<br>(8 510 kg)* | 15,550 lb<br>(7 220 kg) | 15,800 lb*<br>(7 280 kg)* | 11,350 lb<br>(5 300 kg) | 12,950 lb*<br>(6 220 kg) | 8,550 lb<br>(3 990 kg) | 37 ft 7 in<br>(11.46 m) | 6,400 lb*<br>(2 890 kg)*  | 6,400 lb*<br>(2 890 kg)* |                          |
| +5 ft<br>(1.5 m)               |                            |                            | 29,700 lb*<br>(12 660 kg)* | 29,700 lb*<br>(12 660 kg)* | 36,450 lb*<br>(16 890 kg)* | 32,450 lb<br>(15 070 kg)   | 26,050 lb*<br>(12 050 kg)* | 20,850 lb<br>(9 670 kg)  | 20,600 lb*<br>(9 510 kg)* | 14,650 lb<br>(6 820 kg) | 16,850 lb<br>(7 830 kg)   | 10,850 lb<br>(5 050 kg) | 13,050 lb<br>(6 080 kg)  | 8,250 lb<br>(3 850 kg) | 37 ft 6 in<br>(11.42 m) | 6,800 lb*<br>(3 080 kg)*  | 6,800 lb*<br>(3 080 kg)* |                          |
| Groundline                     | 11,800 lb*<br>(5 310 kg)*  | 11,800 lb*<br>(5 310 kg)*  | 25,500 lb*<br>(11 250 kg)* | 25,500 lb*<br>(11 250 kg)* | 40,050 lb*<br>(18 520 kg)* | 30,200 lb<br>(14 040 kg)   | 28,500 lb*<br>(13 180 kg)* | 19,600 lb<br>(9 100 kg)  | 21,900 lb*<br>(10 160 kg) | 13,950 lb<br>(6 480 kg) | 16,450 lb<br>(7 640 kg)   | 10,400 lb<br>(4 850 kg) | 12,800 lb<br>(5 960 kg)  | 8,000 lb<br>(3 740 kg) | 36 ft 8 in<br>(11.17 m) | 7,450 lb*<br>(3 370 kg)*  | 7,400 lb<br>(3 360 kg)   |                          |
| -5 ft<br>(-1.5 m)              | 20,650 lb*<br>(9 270 kg)*  | 20,650 lb*<br>(9 270 kg)*  | 30,550 lb*<br>(13 570 kg)* | 30,550 lb*<br>(13 570 kg)* | 40,600 lb*<br>(18,750 kg)* | 29,200 lb<br>(13 590 kg)   | 29,400 lb*<br>(13 580 kg)* | 18,800 lb<br>(8 740 kg)  | 21,400 lb<br>(9 960 kg)   | 13,450 lb<br>(6 250 kg) | 16,100 lb<br>(7 500 kg)   | 10,150 lb<br>(4 710 kg) | 8,800 lb*<br>(5 250 kg)* | 7,950 lb<br>(3 700 kg) | 35 ft 1 in<br>(10.70 m) | 8,450 lb*<br>(3 830 kg)*  | 7,900 lb<br>(3 590 kg)   |                          |
| -10 ft<br>(-3 m)               | 27,900 lb*<br>(12 520 kg)* | 27,900 lb*<br>(12 520 kg)* | 38,700 lb*<br>(17 170 kg)* | 38,700 lb*<br>(17 170 kg)* | 39,700 lb*<br>(18 340 kg)* | 29,250 lb<br>(13 610 kg)   | 29,000 lb*<br>(13 400 kg)* | 18,700 lb<br>(8 700 kg)  | 21,300 lb<br>(9 910 kg)   | 13,350 lb<br>(6 210 kg) | 16,150 lb<br>(7 500 kg)   | 10,150 lb<br>(4 720 kg) |                          |                        | 32 ft 8 in<br>(9.98 m)  | 10,150 lb*<br>(4 750 kg)* | 8,900 lb<br>(4 020 kg)   |                          |
| -15 ft<br>(-4.5 m)             | 38,250 lb*<br>(17 030 kg)* | 38,250 lb*<br>(17 030 kg)* | 50,500 lb*<br>(22 600 kg)* | 50,500 lb*<br>(22 600 kg)* | 36,600 lb*<br>(16 970 kg)* | 29,800 lb<br>(13 840 kg)   | 27,050 lb*<br>(12 570 kg)* | 19,050 lb<br>(8 840 kg)  | 20,550 lb*<br>(9 600 kg)* | 13,700 lb<br>(6 350 kg) |                           |                         |                          |                        | 29 ft 2 in<br>(8.96 m)  | 13,150 lb*<br>(5 870 kg)* | 10,750 lb<br>(4 820 kg)  |                          |
| -20 ft<br>(-6 m)               | (21 210 kg)*               | (21 210 kg)*               | 42,500 lb*<br>(19 910 kg)* | 42,500 lb*<br>(19 910 kg)* | 30,100 lb*<br>(14 110 kg)* | 29,800 lb<br>(13 860 kg)   | 22,000 lb*<br>(10 400 kg)* | 19,500 lb<br>(9 060 kg)  | (7 160 kg)*               | (6 510 kg)              |                           |                         |                          |                        | 24 ft 4 in<br>(7.53 m)  | 14,900 lb*<br>(6 820 kg)* | 14,500 lb<br>(6 430 kg)  |                          |

NOTE: \*Lift capacities do not exceed 75% of the minimum tipping load or 87% of the hydraulic lift capacity. Capacities that are marked with an asterisk are hydraulic limited.

## STANDARD EQUIPMENT

### ENGINE

Isuzu AQ-6HK1X  
Tier 4 Final Certified  
Selective Catalytic Reduction – SCR  
Diesel Oxidation Catalyst – DOC  
Cooled Exhaust Gas Recirculation – CEGR  
EGR Coolers  
Six-cylinder turbo-charged diesel  
VGT turbocharger  
Electronic fuel injection  
High pressure common rail system  
Neutral safety start  
Auto-engine warm up  
Glow-plug pre-heat  
Fuel Economy Assist System – FEA  
Engine Protection Feature – EPF  
Dual-stage fuel filtration  
Dual element air filter  
Remote oil filter  
Drain for fuel tank  
Remote engine oil drain  
500-hour engine oil change interval  
24 Volt system  
Engine oil sample port  
Battery disconnect switch  
Air pre-cleaner – Cyclone  
High ambient temperature cooling package  
Emergency engine stop  
External Fuel and DEF gauges  
Fan housing  
Fuel cooler  
Fuel filter restriction indicator  
Fuel shut-off valve  
Idle start  
Radiator, oil cooler,  
intercooler – protective screen

### FUEL ECONOMY SYSTEMS

Engine Idle/Fuel Economy System:  
Auto-idle  
One-touch idle  
Auto-idle shut-down  
BEC – Boom Economy Control  
AEC – Auto Economy Control  
SWC – Swing Relief Control  
SSC – Spool Stroke Control

### HYDRAULICS

Auto power boost  
Auto swing priority  
Arm speed assistance – 2 pump flow  
Auxiliary flow control  
Auxiliary valve  
Boom speed assistance – 2 pump flow  
Bucket curl assist  
Control levers pre-wired for  
auxiliary hydraulics  
Electronically controlled hydraulic pumps  
Holding valve – Boom and Arm  
Fire wall  
Hydraulic filter restriction indicator  
Neutral pump de-stroke  
Oil cooler

Power save  
Pump stand-by pressure  
Auto travel speed change  
Selectable work modes  
Free swing  
Hydraulic oil sample port  
Control pattern selector  
Pre-set auxiliary pump settings  
Auxiliary valve  
5,000-hour hydraulic oil change interval  
1,000-hour hydraulic filter change interval  
SAHR brake

### UPPER STRUCTURE

ISO mirrors – 3  
Cab ISO-Mounts – fluid and spring  
Upper mounted work light – 70 watt  
Swivel guard belly pan  
Center cover – over main CV  
Fuel tank belly pan  
Handrail – RH access  
ISO guard rails  
Lifting eyes for counterweight  
Lockable fuel cap, service doors and toolbox

### ATTACHMENTS

Boom – 21 ft 2 in (6.45 m)  
Arm – 10 ft 8 in (3.25 m)  
Heavy-duty bucket linkage  
Boom mounted work light – 70 watt  
Auxiliary pipe brackets  
Centralized grease fittings  
Attachment cushion valve  
Arm and boom regeneration  
Bucket anti-clatter device  
Chrome pins  
Easy Maintenance System (EMS) bushings  
Teardrop pin retention keepers

### OPERATOR ENVIRONMENT

ROPS protection  
FOPS cab top guard – Level 1  
Pressurized cab  
Face vent  
Cab lights – 2  
Interior dome light  
One-touch lock front window  
One piece window – right  
Safety glass windows  
Gate lock hydraulic activation  
Emergency exit and hammer  
Clear polycarbonate roof window  
with sunshade  
AC/heat/defrost with auto climate control  
LED Color monitor – 7 in (180 mm)  
26 selectable languages for monitor  
On-board diagnostic system  
10 programmable attachments settings on  
monitor – 5 single flow, 5 dual flow  
Seat belt – 3 in (76 mm)  
Heated high-back cloth seat with air  
suspension and 65° tilt adjustment  
Sliding seat – 3.54 in (90 mm)

Adjustable armrests  
Tilting consoles – 4-position  
Sliding cockpit – 3.15 in (80 mm)  
Low-effort joystick controls  
Controls pre-wired for auxiliary  
Single pedal travel  
Straight travel  
AM/FM radio with antenna, 2 speakers and  
Bluetooth capabilities  
Aux-in port for personal electronics  
Radio mute switch – joystick  
Rear-view camera  
Anti-theft system – start code system  
Rubber floor mat  
12 Volt electric outlet  
24 Volt cigarette lighter  
Windshield wiper/washer  
Cup holder  
Storage compartments  
Warm/cool storage compartment  
Travel alarm with cancel switch  
Ignition keys  
One key start & lock-up  
Cab filter – external  
Cab handrails  
Operator's manual

### UNDERCARRIAGE

Long undercarriage  
31.5 in (800 mm) steel shoes,  
triple semi-grouser  
Full overlap turntable bearing tub  
Double track chain guides  
Hydraulic track adjustment  
Sealed link chain  
Steps  
Carbody belly pan – swivel guard  
X-pattern carbody  
Lashing points – tie downs  
Extra Filter Kit:  
Engine oil filter  
Filter wrench  
Fuel filters  
Grease gun  
Green plug oil drain hose for  
engine oil drain  
Hydraulic return filter  
Pilot circuit hydraulic filter

### TELEMATICS

CASE SiteWatch™ Telematics – includes  
hardware and a 3-yr Advanced  
data subscription

## OPTIONAL EQUIPMENT

### ENGINE

Refueling pump

### HYDRAULICS

Auxiliary hydraulics:

- Single acting/joystick activated
- Double acting/joystick activated – thumb
- Multi-function/joystick activated
- Multi-function with electronic pressure control/joystick activated with electronic proportional controls
- Secondary low-flow/joystick activated
- Proportional hydraulic controls

Hose Burst Check Valve – HBCV

### MACHINE CONTROL

Leica iCON iXE2 – 2D System

Leica iCON iXE3 – 3D System

### ATTACHMENTS

Heavy-duty boom – 21 ft 2 in (6.45 m)

Short arm – 8 ft 8 in (2.63 m)

Heavy-duty arm – 10 ft 8 in (3.25 m)

Long arm – 13 ft 3 in (4.04 m)

Quick coupler/Case multi-pin grabber

Tools:

- Heavy-duty/Extreme-duty/Ditching Buckets; Hammers; Thumbs;
- Compaction plates.

Load holding control

### UPPER STRUCTURE

Rubber bumper guard – order through Service Parts

Catwalk – left and right side

### UNDERCARRIAGE

27.6 in (700 mm) steel shoes, triple semi-grouser

33.5 in (850 mm) steel shoes, triple semi-grouser

### OPERATOR ENVIRONMENT

FOPS cab top guard – Level 2

Front grill guard – 2 x 2 in (50.8 x 50.8 mm) screen mesh

Front rock guard – vertical bars  
Two piece/OPG 1

Front rock guard – vertical bars  
One piece/OPG 2

Vandal guard (front window) with common key

Rain deflector – not available with Front guards

Sun visor

Side-view camera

LED Package:

Includes 1 Side view camera and 6 LED

Lights – 2 front cab mounted, 2 rear mounted and 1 mounted on each side

