

ENGINE

Model	Isuzu AR-4HK1X Turbocharged w/cooled intercooler/ SCR System
Emissions Certification	Tier 4 Final
Fuel	Requires ultra low-sulfur fuel B5 biodiesel tolerant
Type	Water-cooled, 4 cycle diesel, 4 cylinder inline, High pressure common rail (electric system), Turbocharger w/ air cooled intercooler, SCR system
Cylinders	4-cylinder in-line
Displacement	317 in ³ (5.2 L)
Bore/Stroke	4.53 x 4.92 in (115 x 125 mm)
Fuel injection	Direct injection – electronic
Fuel filter	Replaceable, full flow spin-on cartridge
Air filter	Dry type element w/ warning restriction indicator
Oil filter	Replaceable, full flow spin-on cartridge
Engine gradeability:	
Side-to-side	35°
Fore and aft	35°

Net horsepower – SAE J1349 @ 1800 RPM:
160 hp (119.3 kW)

Net Max. Torque – SAE J1349 @ 1500 RPM:
457 lb-ft (620 N-m)

Cooling operating range:
109° to -13° F (43° to -25° C)

Oil Requires low-ash oil CJ-4

DRIVETRAIN

Travel control	Dual stage relief/ counter balance design
Brakes	Mechanical disc
Service brakes	SAHR disc – each motor
Two speed travel:	
Max. high speed	3.1 mph (5.0 km/h)
Max. low speed	2.0 mph (3.2 km/h)
Automatic downshift	
Drawbar pull	45,000 lbf (200 kN)
Gradeability	70% - 35 degree slope

ELECTRICAL

Voltage	24 Volts
Alternator rating	50 amp
Batteries	2 x 12 Volt
Battery reserve capacity	92 Ah/5 hours
Work lights – 4	24 Volt/70 watt
1 boom, 1 upper, 2 cab	
1 Operator cab	10 watt

OPERATOR ENVIRONMENT

Air-conditioner output	13,492 BTU/hr
Heater output	12,892 BTU/hr
Sound level inside cab – ISO6395	70 dBA
Electrical outlet	12 Volt
Cab interior light	10 watt
Rear view camera	Standard
Seat	Air-suspension

ATTACHMENT

Boom	18 ft 8 in (5 700 mm)
Arm options	9 ft 8 in (2.94 m) 7 ft 10 in (2.40 m)
Bucket digging force*	31,800 lbf (142 kN)
w/ Auto Power Boost	34,600 lbf (154 kN)

OPERATING WEIGHT

Operating weight	60,400 lb (27 400 kg)
w/ shoes	2 ft 8 in (800 mm)
w/ boom	18 ft 8 in (5 700 mm)
w/ arm	9 ft 8 in (2 940 mm)
w/ bucket	1,435 lb (651 kg)
w/ counterweight	16,400 lb (7 430 kg)

NOTE: w/ operator/full fuel/standard equipment.

GROUND PRESSURE

@ Standard operating weight 6.2 psi (0.43 bar)
w/ 31.5 in (800 mm) triple semi-grouser shoes

DOZER BLADE

Blade Width	10 ft 6 in (3 200 mm)
Blade Height	2 ft 0 in (610 mm)
Max. lift above ground	1 ft 7 in (490 mm)
Max. drop below ground	1 ft 3 in (390 mm)

HYDRAULICS

System design	Open center
Main pumps	Two variable displacement/ axial piston
Max. rated flow	55.7 gpm (211 L/min)
System pressures:	
Boom, arm and bucket	4,970 (343 bar)
w/ power boost	5,410 (373 bar)
Travel circuit	4,970 (343 bar)
Swing circuit	4,260 (294 bar)
Pilot pump	1 x gear design
Max. capacity	4.8 gpm (18 L/min)
Controls	w/ boom/arm holding valve
Right track travel, bucket, boom and arm acceleration.	Four-spool section
Left track travel, auxiliary, swing, boom acceleration and arm.	Five-spool section

Work Mode selections SP: Speed Priority
H: Heavy Duty
A: Automatic

Swing motor	Fixed displacement axial piston
Swing final drive	Planetary gear reduction
Travel motor	Two-speed independent travel/axial piston

HYDRAULIC CYLINDERS

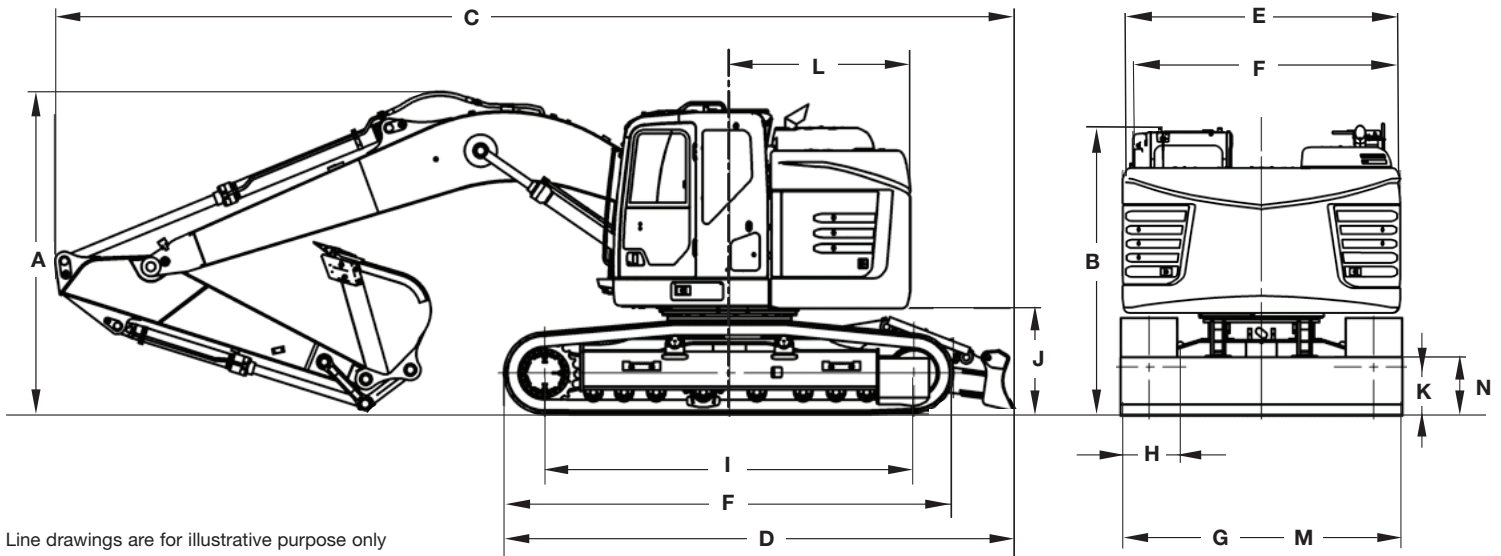
Boom cylinders	Two (2)
Cylinder bore	4.7 in (120 mm)
Cylinder rod diameter	3.3 in (85 mm)
Cylinder stroke	53.9 in (1 370 mm)
Arm cylinder	One (1)
Cylinder bore	5.5 in (140 mm)
Cylinder rod diameter	3.9 in (100 mm)
Cylinder stroke	57.5 in (1 460 mm)
Bucket cylinder	One (1)
Cylinder bore	4.7 in (120 mm)
Cylinder rod diameter	3.3 in (85 mm)
Cylinder stroke	39.8 in (1 010 mm)
Dozer Blade cylinders	Two (2)
Cylinder bore	5.1 in (130 mm)
Cylinder rod dimension	3.2 in (80 mm)
Cylinder stroke	10.2 in (260 mm)

SERVICE CAPACITIES

Fuel tank	85 gal (320 L)
Hydraulic system	67 gal (252 L)
Hydraulic tank	30 gal (114 L)
Engine oil w/ filter	6.1 gal (23.1 L)
Swing drive	1.3 gal (5.0 L)
Final drive	1.3 gal (5.0 L)
Cooling system	8.4 gal (31.9 L)
DEF tank	11.9 gal (45 L)

OTHER SPECIFICATIONS

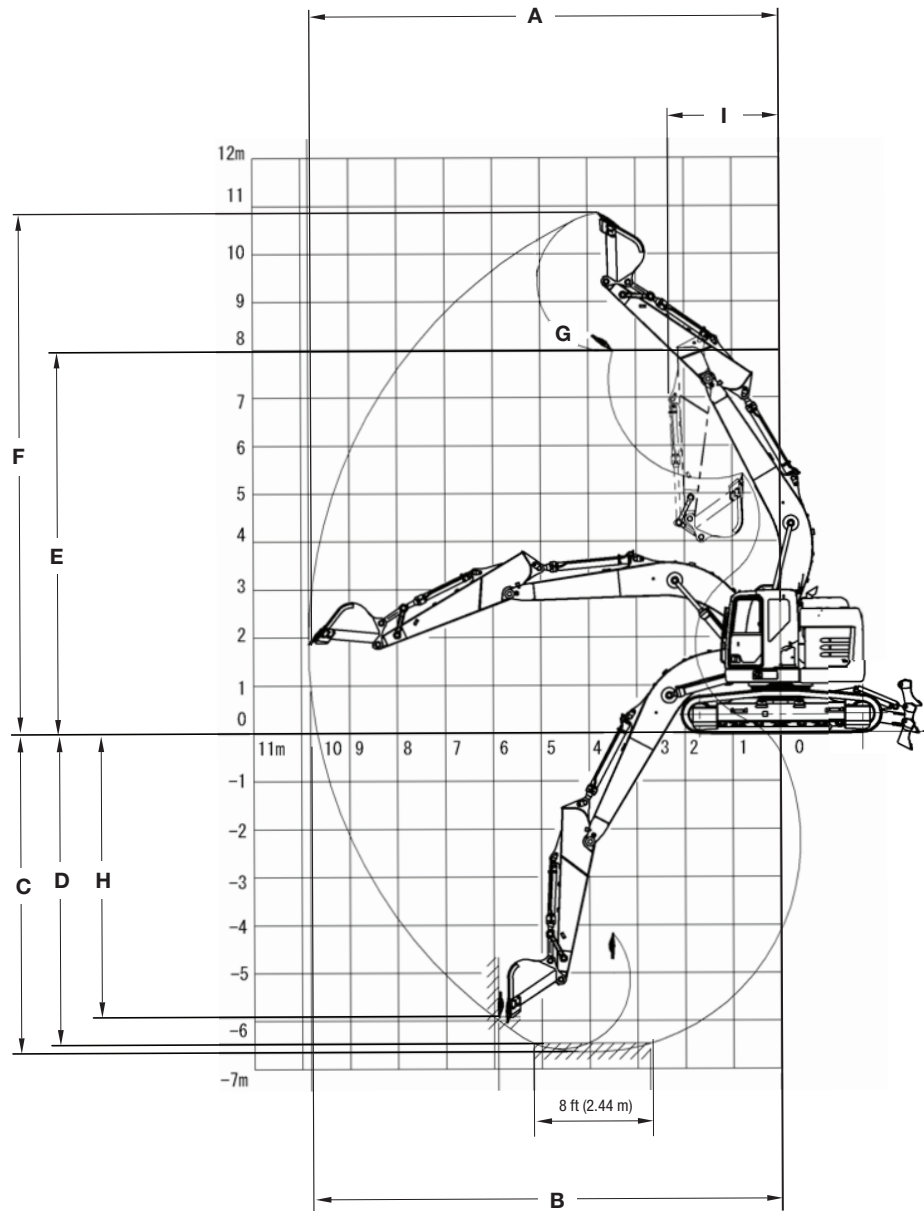
Swing speed	0 – 11.5 RPM
Swing torque	47,200 lb-ft (64 000 N-m)
Swing brake	Mechanical disc
Undercarriage:	
Length	14 ft 8 in (4 470 mm)
Track gauge	7 ft 10 in (2 390 mm)
Carrier rollers – each side	2
Track rollers – each side	8
Shoes – Triple grouser – each side	49
Shoe width – std.	2 ft 8 in (800 mm)
Link pitch	8 in (190 mm)
Track:	
Chain	Grease lubricated/strutted
Guides	Single
Adjustment	Hydraulic



Line drawings are for illustrative purpose only and may not be exact representation of unit.

DIMENSIONS

	7 ft 10 in (2.40 m) Arm	9 ft 8 in (2.94 m) Arm
A. Overall height - with attachment	10 ft 5 in (3 180 mm)	9 ft 9 in (2 980 mm)
B. Cab height	10 ft 2 in (3 090 mm)	10 ft 2 in (3 090 mm)
C. Overall length - with attachment	31 ft 3 in (9 530 mm)	30 ft 8 in (9 340 mm)
D. Overall length - without attachment	16 ft 7 in (5 060 mm)	16 ft 7 in (5 060 mm)
E. Width of upper structure	9 ft 10 in (2 990 mm)	9 ft 10 in (2 990 mm)
F. Track overall length	14 ft 8 in (4 470 mm)	14 ft 8 in (4 470 mm)
G. Track overall width - with 23.6 in (600 mm) shoes Track overall width - with 23.6 in (800 mm) shoes	9 ft 10 in (2 990 mm) 10 ft 6 in (3 190 mm)	9 ft 10 in (2 990 mm) 10 ft 6 in (3 190 mm)
H. Track shoe width	2 ft 7 in (800 mm)	2 ft 7 in (800 mm)
I. Center to center-idler to sprocket	12 ft 0 (3 660 mm)	12 ft 0 in (3 660 mm)
J. Upper structure ground clearance	3 ft 4 in (1 020 mm)	3 ft 4 in (1 020 mm)
K. Minimum ground clearance	1 ft 5 in (440 mm)	1 ft 5 in (440 mm)
L. Rear tail swing radius	5 ft 10 in (1 790 mm)	5 ft 10 in (1 790 mm)
M. Dozer blade width	10 ft 6 in (3 200 mm)	10 ft 6 in (3 200 mm)
N. Dozer Blade height	2 ft 0 in (610 mm)	2 ft 0 in (610 mm)
Operating weight		60,400 lb (27 400 kg)
Ground pressure - with 9 ft 8 in (2.94 m) arm, 800 mm grouser		6.2 psi (0.43 bar)



PERFORMANCE SPECS

	7 ft 10 in (2.40 m) Arm	9 ft 8 in (2.94 m) Arm
A. Maximum dig radius	30 ft 9 in (9 370 mm)	32 ft 4 in (9 850 mm)
B. Dig radius at ground level	30 ft 1 in (9 180 mm)	31 ft 9 in (9 670 mm)
C. Maximum dig depth	20 ft 1 in (6 120 mm)	21 ft 10 in (6 650 mm)
D. Dig depth - 8 ft 0 in (2.44 m) level bottom	19 ft 5 in (5 910 mm)	21 ft 3 in (6 480 mm)
E. Dump height	25 ft 0 in (7 630 mm)	26 ft 2 in (7 970 mm)
F. Maximum reach height	34 ft 6 in (10 520 mm)	35 ft 8 in (10 860 mm)
G. Bucket rotation	177°	177°
H. Maximum vertical wall dig depth	18 ft 0 in (5 480 mm)	19 ft 5 in (5 920 mm)
I. Minimum swing radius		
Arm digging force:		
Standard	27,650 lbf (123 kN)	23,160 lbf (103 kN)
Power Boost	30,000 lbf (133 kN)	25,100 lbf (112 kN)
Bucket digging force		
Standard	31,800 lbf (142 kN)	31,800 lbf (142 kN)
Power boost	34,600 lbf (154 kN)	34,600 lbf (154 kN)

LIFT CAPACITIES

CX245D SR – 18 ft 8 in (5.70 m) Boom and 7 ft 11 in (2.40 m) Arm Lift capacities using a bucket weighing 1,540 lb (700 kg) and 16,370 lb (7 430 kg) counterweight with dozer blade on ground.

Load (Lift Point Height)	MINIMUM REACH			0 ft (0 m)		5 ft (1.5 m)		10 ft (3 m)		15 ft (4.5 m)	
	@	END	SIDE	END	SIDE	END	SIDE	END	SIDE	END	SIDE
+30 ft (9 m)	13 ft 10 in (4.14 m)	5,600 lb* (2 180 kg)*	5,600 lb* (2 180 kg)*							10,100 lb* (3 540 kg)*	10,100 lb* (3 540 kg)*
+25 ft (7.5 m)	14 ft 2 in (4.31 m)	7,450 lb* (3 610 kg)*	7,450 lb* (3 610 kg)*							8,150 lb* (3 710 kg)*	8,150 lb* (3 710 kg)*
+20 ft (6 m)	13 ft 2 in (3.95 m)	11,600 lb* (5 330 kg)*	11,600 lb* (5 330 kg)*							11,350 lb* (5 210 kg)*	11,350 lb* (5 210 kg)
+15 ft (4.5 m)	5 ft 9 in (1.74 m)	13,350 lb* (8 150 kg)*	13,350 lb* (8 150 kg)*					18,100 lb* (8 480 kg)*	18,100 lb* (8 480 kg)*	14,400 lb* (6 700 kg)*	14,400 lb* (6 700 kg)
+10 ft (3 m)	9 ft 8 in (2.97 m)	14,400 lb* (6 400 kg)*	14,400 lb* (6 400 kg)*					26,950 lb* (10 340 kg)*	26,950 lb* (10 340 kg)*	18,600 lb* (8 590 kg)*	18,600 lb* (8 590 kg)*
+5 ft (1.5 m)	10 ft 5 in (3.16 m)	13,500 lb* (6 210 kg)*	13,500 lb* (6 210 kg)*							21,750 lb* (10 000 kg)*	18,500 lb (8 590 kg)
Groundline	8 ft 5 in (2.57 m)	12,700 lb* (5 790 kg)*	12,700 lb* (5 790 kg)*					17,750 lb* (7 800 kg)*	17,750 lb* (7 800 kg)*	22,950 lb* (10 600 kg)*	17,800 lb (8 270 kg)
-5 ft (-1.5 m)	3 ft 0 in (0.93 m)	12,500 lb* (5 620 kg)*	12,500 lb* (5 620 kg)*			19,450 lb* (8 730 kg)*	19,450 lb* (8 730 kg)*	26,000 lb* (11 470 kg)*	26,000 lb* (11 470 kg)*	22,650 lb* (10 460 kg)*	17,700 lb (8 240 kg)
-10 ft (-3 m)	3 ft 1 in (0.92 m)	22,250 lb* (9 860 kg)*	22,250 lb* (9 860 kg)*			25,650 lb* (11 440 kg)*	25,650 lb* (11 440 kg)*	30,050 lb* (13 880 kg)*	30,050 lb* (13 880 kg)*	21,000 lb* (9 710 kg)*	17,950 lb (8 350 kg)
-15 ft (-4.5 m)	6 ft 1 in (1.77 m)	32,300 lb* (15 340 kg)*	32,300 lb* (15 340 kg)*					23,500 lb* (10 960 kg)*	23,500 lb* (10 960 kg)*	16,600 lb* (7 790 kg)*	16,600 lb* (7 790 kg)*

Load (Lift Point Height)	20 ft (6 m)		25 ft (7.5 m)		30 ft (9 m)		MAXIMUM REACH		
	END	SIDE	END	SIDE	END	SIDE	@	END	SIDE
+30 ft (9 m)							16 ft 8 in (5.32 m)	8,600 lb* (3 810 kg)*	8,600 lb* (3 810 kg)*
+25 ft (7.5 m)	9,850 lb* (4 450 kg)*	9,850 lb* (4 450 kg)*					22 ft 11 in (7.08 m)	7,400 lb* (3 330 kg)*	7,400 lb* (3 330 kg)*
+20 ft (6 m)	10,900 lb* (4 980 kg)*	10,900 lb* (4 980 kg)*	9,800 lb* (4 500 kg)*	9,250 lb (4 320 kg)			26 ft 5 in (8.12 m)	7,000 lb* (3 160 kg)*	7,000 lb* (3 160 kg)*
+15 ft (4.5 m)	11,950 lb* (5 530 kg)*	11,950 lb* (5 530 kg)*	10,750 lb* (4 990 kg)*	9,100 lb (4 220 kg)			28 ft 7 in (8.72 m)	6,950 lb* (3 140 kg)*	6,950 lb* (3 140 kg)*
+10 ft (3 m)	13,950 lb* (6 460 kg)*	12,550 lb (5 830 kg)	11,700 lb* (5 360 kg)*	8,800 lb (4 080 kg)	(3 240 kg)*	(2 990 kg)	29 ft 6 in (9.00 m)	7,100 lb* (3 230 kg)*	6,600 lb (2 990 kg)
+5 ft (1.5 m)	15,700 lb* (7 250 kg)*	12,000 lb (5 560 kg)	12,550 lb* (5 780 kg)*	8,500 lb (3 950 kg)			29 ft 6 in (9.00 m)	7,550 lb* (3 430 kg)*	6,500 lb (2 940 kg)
Groundline	16,600 lb* (7 660 kg)*	11,550 lb (5 370 kg)	12,900 lb* (5 960 kg)*	8,300 lb (3 840 kg)			28 ft 7 in (8.72 m)	8,350 lb* (3 790 kg)*	6,750 lb (3 060 kg)
-5 ft (-1.5 m)	16,550 lb* (7 640 kg)*	11,450 lb (5 310 kg)	12,600 lb* (5 850 kg)*	8,250 lb (3 830 kg)			26 ft 9 in (8.16 m)	9,750 lb* (4 420 kg)*	7,500 lb (3 390 kg)
-10 ft (-3 m)	15,300 lb* (7 110 kg)*	11,650 lb (5 400 kg)					23 ft 8 in (7.25 m)	11,350 lb* (5 140 kg)*	9,100 lb (4 090 kg)
-15 ft (-4.5 m)							19 ft 0 in (5.87 m)	11,100 lb* (5 050 kg)*	11,100 lb* (5 050 kg)*

NOTE: *Lift capacities marked with an asterisk (*) are limited by 87% hydraulic capacity and 75% tipping capacity.

LIFT CAPACITIES

CX245D SR – 18 ft 8 in (5.70 m) Boom and 7 ft 11 in (2.40 m) Arm Lift capacities using a bucket weighing 1,540 lb (700 kg) and 16,370 lb (7 430 kg) counterweight with dozer blade off ground.

Load (Lift Point Height)	MINIMUM REACH			0 ft (0 m)		5 ft (1.5 m)		10 ft (3 m)		15 ft (4.5 m)	
	@	END	SIDE	END	SIDE	END	SIDE	END	SIDE	END	SIDE
+30 ft (9 m)	13 ft 10 in (4.14 m)	5,600 lb* (2 180 kg)*	5,600 lb* (2 180 kg)*							10,100 lb* (3 540 kg)*	10,100 lb* (3 540 kg)*
+25 ft (7.5 m)	14 ft 2 in (4.31 m)	7,450 lb* (3 610 kg)*	7,450 lb* (3 610 kg)*							8,150 lb* (3 710 kg)*	8,150 lb* (3 710 kg)*
+20 ft (6 m)	13 ft 2 in (3.95 m)	11,600 lb* (5 330 kg)*	11,600 lb* (5 330 kg)*							11,350 lb* (5 210 kg)*	11,350 lb* (5 210 kg)
+15 ft (4.5 m)	5 ft 9 in (1.74 m)	13,350 lb* (8 150 kg)*	13,350 lb* (8 150 kg)*					18,100 lb* (8 480 kg)*	18,100 lb* (8 480 kg)*	14,400 lb* (6 700 kg)*	14,400 lb* (6 700 kg)*
+10 ft (3 m)	9 ft 8 in (2.97 m)	14,400 lb* (6 400 kg)*	14,400 lb* (6 400 kg)*					26,950 lb* (10 340 kg)*	26,950 lb* (10 340 kg)*	18,600 lb* (8 590 kg)*	17,950 lb (8 330 kg)
+5 ft (1.5 m)	10 ft 5 in (3.16 m)	13,500 lb* (6 210 kg)*	13,500 lb* (6 210 kg)*							21,750 lb* (10 000 kg)*	17,050 lb (7 910 kg)
Groundline	8 ft 5 in (2.57 m)	12,700 lb* (5 790 kg)*	12,700 lb* (5 790 kg)*					17,750 lb* (7 800 kg)*	17,750 lb* (7 800 kg)*	22,950 lb* (10 600 kg)*	16,350 lb (7 590 kg)
-5 ft (-1.5 m)	3 ft 0 in (0.93 m)	12,500 lb* (5 620 kg)*	12,500 lb* (5 620 kg)*			19,450 lb* (8 730 kg)*	19,450 lb* (8 730 kg)*	26,000 lb* (11 470 kg)*	26,000 lb* (11 470 kg)*	22,650 lb* (10 460 kg)*	16,250 lb (7 560 kg)
-10 ft (-3 m)	3 ft 1 in (0.92 m)	22,250 lb* (9 860 kg)*	22,250 lb* (9 860 kg)*			25,650 lb* (11 440 kg)*	25,650 lb* (11 440 kg)*	30,050 lb* (13 880 kg)*	30,050 lb* (13 880 kg)*	21,000 lb* (9 710 kg)*	16,550 lb (7 680 kg)
-15 ft (-4.5 m)	6 ft 1 in (1.77 m)	32,300 lb* (15 340 kg)*	32,300 lb* (15 340 kg)*					23,500 lb* (10 960 kg)*	23,500 lb* (10 960 kg)*	16,600 lb* (7 790 kg)*	16,600 lb* (7 740 kg)

Load (Lift Point Height)	20 ft (6 m)		25 ft (7.5 m)		30 ft (9 m)		MAXIMUM REACH		
	END	SIDE	END	SIDE	END	SIDE	@	END	SIDE
+30 ft (9 m)							16 ft 8 in (5.32 m)	8,600 lb* (3 810 kg)*	8,600 lb* (3 810 kg)*
+25 ft (7.5 m)	9,850 lb* (4 450 kg)*	9,850 lb* (4 450 kg)*					22 ft 11 in (7.08 m)	7,400 lb* (3 330 kg)*	7,400 lb* (3 330 kg)*
+20 ft (6 m)	10,900 lb* (4 980 kg)*	10,900 lb* (4 980 kg)*	9,800 lb* (4 500 kg)*	8,600 lb (4 020 kg)			26 ft 5 in (8.12 m)	7,000 lb* (3 160 kg)*	7,000 lb* (3 160 kg)*
+15 ft (4.5 m)	11,950 lb* (5 530 kg)*	11,950 lb* (5 530 kg)*	10,750 lb* (4 990 kg)*	8,450 lb (3 920 kg)			28 ft 7 in (8.72 m)	6,950 lb* (3 140 kg)*	6,600 lb (2 990 kg)
+10 ft (3 m)	13,950 lb* (6 460 kg)*	11,650 lb (5 400 kg)	11,700 lb* (5 360 kg)*	8,150 lb (3 790 kg)	(3 240 kg)*	(2 760 kg)	29 ft 6 in (9.00 m)	7,100 lb* (3 230 kg)*	6,100 lb (2 760 kg)
+5 ft (1.5 m)	15,700 lb* (7 250 kg)*	11,100 lb (5 140 kg)	12,150 lb (5 660 kg)*	7,850 lb (3 650 kg)			29 ft 6 in (9.00 m)	7,550 lb* (3 430 kg)*	6,000 lb (2 710 kg)
Groundline	16,600 lb* (7 660 kg)*	10,650 lb (4 960 kg)	11,950 lb (5 550 kg)	7,650 lb (3 550 kg)			28 ft 7 in (8.72 m)	8,350 lb* (3 790 kg)*	6,200 lb (2 820 kg)
-5 ft (-1.5 m)	16,550 lb* (7 640 kg)*	10,550 lb (4 900 kg)	11,900 lb (5 530 kg)	7,600 lb (3 540 kg)			26 ft 9 in (8.16 m)	9,750 lb* (4 420 kg)*	6,900 lb (3 130 kg)
-10 ft (-3 m)	15,300 lb* (7 110 kg)*	10,750 lb (4 990 kg)					23 ft 8 in (7.25 m)	11,350 lb* (5 140 kg)*	8,400 lb (3 780 kg)
-15 ft (-4.5 m)							19 ft 0 in (5.87 m)	11,100 lb* (5 050 kg)*	11,100 lb* (5 050 kg)*

NOTE: *Lift capacities marked with an asterisk (*) are limited by 87% hydraulic capacity and 75% tipping capacity.

LIFT CAPACITIES

CX245D SR – 18 ft 8 in (5.70 m) Boom and 9 ft 8 in (2.94 m) Arm Lift capacities using a bucket weighing 1,440 lb (650 kg) and 16,370 lb (7 430 kg) counterweight with dozer blade on ground.

Load (Lift Point Height)	MINIMUM REACH			0 ft (0 m)		5 ft (1.5 m)		10 ft (3 m)		15 ft (4.5 m)	
	@	END	SIDE	END	SIDE	END	SIDE	END	SIDE	END	SIDE
+30 ft (9 m)	14 ft 7 in (4.52 m)	4,400 lb* (2 090 kg)*	4,400 lb* (2 090 kg)*							4,800 lb*	4,800 lb*
+25 ft (7.5 m)	15 ft 10 in (4.83 m)	8,050 lb* (3 820 kg)*	8,050 lb* (3 820 kg)*								
+20 ft (6 m)	15 ft 0 in (4.54 m)	9,850 lb* (4 520 kg)*	9,850 lb* (4 520 kg)*								
+15 ft (4.5 m)	9 ft 7 in (2.9 m)	10,300 lb* (4 810 kg)*	10,300 lb* (4 810 kg)*					11,000 lb* (5 050 kg)*	11,000 lb* (5 050 kg)*	12,400 lb* (5 760 kg)*	12,400 lb* (5 760 kg)*
+10 ft (3 m)	7 ft 2 in (2.21 m)	19,050 lb* (8 290 kg)*	19,050 lb* (8 290 kg)*					23,900 lb* (11 070 kg)*	23,900 lb* (11 070 kg)*	17,200 lb* (7 980 kg)*	17,200 lb* (7 980 kg)*
+5 ft (1.5 m)	8 ft 1 in (2.46 m)	9,200 lb* (4 170 kg)*	9,200 lb* (4 170 kg)*					21,300 lb* (9 020 kg)*	21,300 lb* (9 020 kg)*	20,950 lb* (9 700 kg)*	18,900 lb (8 780 kg)
Groundline	5 ft 4 in (1.62 m)	8,350 lb* (3 790 kg)*	8,350 lb* (3 790 kg)*					19,650 lb* (8 640 kg)*	19,650 lb* (8 640 kg)*	22,800 lb* (10 540 kg)*	18,000 lb (8 370 kg)
-5 ft (-1.5 m)	1 ft 3 in (0.38 m)	11,850 lb* (5 300 kg)*	11,850 lb* (5 300 kg)*			16,450 lb* (7 430 kg)*	16,450 lb* (7 430 kg)*	25,100 lb* (11 100 kg)*	25,100 lb* (11 100 kg)*	22,900 lb* (10 570 kg)*	17,750 lb (8 240 kg)
-10 ft (-3 m)	1 ft 3 in (0.37 m)	18,200 lb* (8 160 kg)*	18,200 lb* (8 160 kg)*			22,650 lb* (10 120 kg)*	22,650 lb* (10 120 kg)*	32,100 lb* (14 810 kg)*	32,100 lb* (14 140 kg)*	21,900 lb* (10 110 kg)*	17,900 lb (8 310 kg)
-15 ft (-4.5 m)	3 ft 8 in (1.06 m)	29,200 lb* (12 860 kg)*	29,200 lb* (12 860 kg)*			32,700 lb* (14 500 kg)*	32,700 lb* (14 500 kg)*	26,700 lb* (12 430 kg)*	26,700 lb* (12 430 kg)*	18,650 lb* (8 700 kg)*	18,050 lb (8 390 kg)*

Load (Lift Point Height)	20 ft (6 m)		25 ft (7.5 m)		30 ft (9 m)		MAXIMUM REACH		
	END	SIDE	END	SIDE	END	SIDE	@	END	SIDE
+30 ft (9 m)	(3 000 kg)*	(3 000 kg)*					19 ft 7 in (6.17 m)	5,750 lb* (2 550 kg)*	5,750 lb* (2 550 kg)*
+25 ft (7.5 m)	8,900 lb* (4 040 kg)*	8,900 lb* (4 040 kg)*	(2 910 kg)*	(2 910 kg)*			25 ft 0 in (7.71 m)	5,000 lb* (2 250 kg)*	5,000 lb* (2 250 kg)*
+20 ft (6 m)	9,850 lb* (4 500 kg)*	9,850 lb* (4 500 kg)*	8,950 lb* (4 090 kg)*	8,950 lb* (4 090 kg)*			28 ft 3 in (8.66 m)	4,750 lb* (2 140 kg)*	4,750 lb* (2 140 kg)*
+15 ft (4.5 m)	11,000 lb* (5 070 kg)*	11,000 lb* (5 070 kg)*	10,050 lb* (4 690 kg)*	9,300 lb (4 320 kg)	5,350 lb* (3 050 kg)*	5,350 lb* (3 050 kg)*	30 ft 2 in (9.22 m)	4,700 lb* (2 130 kg)*	4,700 lb* (2 130 kg)*
+10 ft (3 m)	13,250 lb* (6 120 kg)*	12,750 lb (5 910 kg)*	11,100 lb* (5 110 kg)*	8,950 lb (4 170 kg)	8,000 lb* (4 080 kg)*	6,600 lb (3 070 kg)	31 ft 1 in (9.49 m)	4,850 lb* (2 210 kg)*	4,850 lb* (2 210 kg)*
+5 ft (1.5 m)	15,200 lb* (7 020 kg)*	12,200 lb (5 660 kg)	12,250 lb* (5 640 kg)*	8,650 lb (4 010 kg)	8,800 lb* (4 510 kg)*	6,450 lb (2 990 kg)	31 ft 1 in (9.48 m)	5,150 lb* (2 340 kg)*	5,150 lb* (2 340 kg)*
Groundline	16,450 lb* (7 590 kg)*	11,700 lb (5 440 kg)	12,850 lb* (5 940 kg)*	8,350 lb (3 890 kg)	6,850 lb* (3 930 kg)*	6,300 lb (2 940 kg)	30 ft 3 in (9.22 m)	5,750 lb* (2 590 kg)*	5,750 lb* (2 590 kg)*
-5 ft (-1.5 m)	16,650 lb* (7 640 kg)	11,450 lb (5 330 kg)	12,850 lb (5 950 kg)*	8,250 lb (3 830 kg)			28 ft 6 in (8.69 m)	6,700 lb* (3 020 kg)*	6,700 lb* (3 020 kg)*
-10 ft (-3 m)	16,000 lb* (7 410 kg)*	11,600 lb (5 370 kg)	11,700 lb (5 500 kg)*	8,450 lb (3 910 kg)			25 ft 8 in (7.85 m)	8,500 lb* (3 790 kg)*	8,050 lb (3 630 kg)
-15 ft (-4.5 m)	13,050 lb* (6 180 kg)*	11,850 lb (5 500 kg)					21 ft 4 in (6.58 m)	11,000 lb* (5 000 kg)*	10,750 lb (4 790 kg)

NOTE: *Lift capacities marked with an asterisk (*) are limited by 87% hydraulic capacity and 75% tipping capacity.

LIFT CAPACITIES

CX245D SR – 18 ft 8 in (5.70 m) Boom and 9 ft 8 in (2.94 m) Arm Lift capacities using a bucket weighing 1,440 lb (650 kg) and 16,370 lb (7 430 kg) counterweight with dozer blade off ground.

Load (Lift Point Height)	MINIMUM REACH			0 ft (0 m)		5 ft (1.5 m)		10 ft (3 m)		15 ft (4.5 m)	
	@	END	SIDE	END	SIDE	END	SIDE	END	SIDE	END	SIDE
+30 ft (9 m)	14 ft 7 in (4.52 m)	4,400 lb* (2 090 kg)*	4,400 lb* (2 090 kg)*							4,800 lb*	4,800 lb*
+25 ft (7.5 m)	15 ft 10 in (4.83 m)	8,050 lb* (3 820 kg)*	8,050 lb* (3 820 kg)*								
+20 ft (6 m)	15 ft 0 in (4.54 m)	9,850 lb* (4 520 kg)*	9,850 lb* (4 520 kg)*								
+15 ft (4.5 m)	9 ft 7 in (2.9 m)	10,300 lb* (4 810 kg)*	10,300 lb* (4 810 kg)*					11,000 lb* (5 050 kg)*	11,000 lb* (5 050 kg)*	12,400 lb* (5 760 kg)*	12,400 lb* (5 760 kg)*
+10 ft (3 m)	7 ft 2 in (2.21 m)	19,050 lb* (8 290 kg)*	19,050 lb* (8 290 kg)*					23,900 lb* (11 070 kg)*	23,900 lb* (11 070 kg)*	17,200 lb* (7 980 kg)*	17,200 lb* (7 980 kg)*
+5 ft (1.5 m)	8 ft 1 in (2.46 m)	9,200 lb* (4 170 kg)*	9,200 lb* (4 170 kg)*					21,300 lb* (9 020 kg)*	21,300 lb* (9 020 kg)*	20,950 lb* (9 700 kg)*	17,450 lb (8 090 kg)
Groundline	5 ft 4 in (1.62 m)	8,350 lb* (3 790 kg)*	8,350 lb* (3 790 kg)*					19,650 lb* (8 640 kg)*	19,650 lb* (8 640 kg)*	22,800 lb* (10 540 kg)*	16,550 lb (7 690 kg)
-5 ft (-1.5 m)	1 ft 3 in (0.38 m)	11,850 lb* (5 300 kg)*	11,850 lb* (5 300 kg)*			16,450 lb* (7 430 kg)*	16,450 lb* (7 430 kg)*	25,100 lb* (11 100 kg)*	25,100 lb* (11 100 kg)*	22,900 lb* (10 570 kg)*	16,300 lb (7 570 kg)
-10 ft (-3 m)	1 ft 3 in (0.37 m)	18,200 lb* (8 160 kg)*	18,200 lb* (8 160 kg)*			22,650 lb* (10 120 kg)*	22,650 lb* (10 120 kg)*	32,100 lb* (14 810 kg)*	31,850 lb (14 710 kg)	21,900 lb* (10 110 kg)*	16,450 lb (7 640 kg)
-15 ft (-4.5 m)	3 ft 8 in (1.06 m)	29,200 lb* (12 860 kg)*	29,200 lb* (12 860 kg)*			32,700 lb* (14 500 kg)*	32,700 lb* (14 500 kg)*	26,700 lb* (12 430 kg)*	26,700 lb* (12 430 kg)*	18,650 lb* (8 700 kg)*	16,800 lb (7 800 kg)

Load (Lift Point Height)	20 ft (6 m)		25 ft (7.5 m)		30 ft (9 m)		MAXIMUM REACH		
	END	SIDE	END	SIDE	END	SIDE	@	END	SIDE
+30 ft (9 m)							19 ft 7 in (6.17 m)	5,750 lb* (2 550 kg)*	5,750 lb* (2 550 kg)*
+25 ft (7.5 m)	8,900 lb* (4 040 kg)*	8,900 lb* (4 040 kg)*	(2 910 kg)*	(2 910 kg)*			25 ft 0 in (7.71 m)	5,000 lb* (2 250 kg)*	5,000 lb* (2 250 kg)*
+20 ft (6 m)	9,850 lb* (4 500 kg)*	9,850 lb* (4 500 kg)*	8,950 lb* (4 090 kg)*	8,850 lb (4 090 kg)*			28 ft 3 in (8.66 m)	4,750 lb* (2 140 kg)*	4,750 lb* (2 140 kg)*
+15 ft (4.5 m)	11,000 lb* (5 070 kg)*	11,000 lb* (5 070 kg)*	10,050 lb* (4 690 kg)*	8,650 lb (4 020 kg)	5,350 lb* (3 050 kg)*	5,350 lb* (2 900 kg)	30 ft 2 in (9.22 m)	4,700 lb* (2 130 kg)*	4,700 lb* (2 130 kg)*
+10 ft (3 m)	13,250 lb* (6 120 kg)*	11,900 lb (5 520 kg)	11,100 lb* (5 110 kg)*	8,300 lb (3 870 kg)	8,000 lb* (4 080 kg)*	6,100 lb (2 840 kg)	31 ft 1 in (9.49 m)	4,850 lb* (2 210 kg)*	4,850 lb* (2 210 kg)*
+5 ft (1.5 m)	15,200 lb* (7 020 kg)*	11,300 lb (5 240 kg)	12,250 lb* (5 640 kg)*	8,000 lb (3 710 kg)	8,800 lb* (4 280 kg)	5,950 lb (2 760 kg)	31 ft 1 in (9.48 m)	5,150 lb* (2 340 kg)*	5,150 lb* (2 340 kg)*
Groundline	16,450 lb* (7 590 kg)*	10,800 lb (5 020 kg)	12,050 lb (5 600 kg)	7,750 lb (3 590 kg)	6,850 lb* (3 930 kg)*	5,800 lb (2 710 kg)	30 ft 3 in (9.22 m)	5,750 lb* (2 590 kg)*	5,750 lb* (2 590 kg)*
-5 ft (-1.5 m)	16,650 lb* (7 690 kg)*	10,600 lb (4 910 kg)	11,900 lb (5 540 kg)	7,600 lb (3 540 kg)			28 ft 6 in (8.69 m)	6,700 lb* (3 020 kg)*	6,300 lb (2 850 kg)
-10 ft (-3 m)	16,000 lb* (7 410 kg)*	10,700 lb (4 960 kg)	11,700 lb* (5 500 kg)*	7,800 lb (3 610 kg)			25 ft 8 in (7.85 m)	8,500 lb* (3 790 kg)*	7,450 lb (3 350 kg)
-15 ft (-4.5 m)	13,050 lb* (6 180 kg)*	11,050 lb* (5 130 kg)					21 ft 4 in (6.58 m)	11,000 lb* (5 000 kg)*	9,950 lb (4 430 kg)

NOTE: *Lift capacities marked with an asterisk (*) are limited by 87% hydraulic capacity and 75% tipping capacity.

STANDARD EQUIPMENT

OPERATOR ENVIRONMENT

See page 1

ENGINE

Isuzu four-cylinder turbo-charged diesel
Tier 4 Certified – Turbocharged, air cooled
intercooler and SCR system
Electronic fuel injection
High pressure common rail system
Diesel Oxidation Catalyst – DOC
Neutral safety start
Auto-engine warm up
Glow-plug pre-heat
EPF – Engine Protection Feature
Dual-stage fuel filtration
Dual element air filter
Remote oil filter
Green plug oil drain
500-hour engine oil change interval
24-volt system
Requires CJ-4 engine oil
Requires ultra low-sulfur fuel

FUEL ECONOMY SYSTEMS

Engine Idle/Fuel Economy System:
Auto-idle
One-touch idle
Idle shut-down
BEC – Boom Economy Control
AEC – Auto Economy Control
SWC – Swing Relief Control
SSC – Spool Stroke Control

HYDRAULICS

Auto power boost
Auto swing priority
Auto travel speed change
Selectable work modes
ISO pattern controls
Pre-set auxiliary pump settings
Auxiliary valve
Auxiliary pipe brackets
Control pattern selector
5,000-hour hydraulic oil change interval
1,000-hour hydraulic filter change interval
SAHR brake
Free swing

UPPER STRUCTURE

Right and left side mirrors
Isolation mounted cab – fluid and spring
Common key vandal locks
Upper mounted work light – 70 watt
Swivel guard belly pan

UNDERCARRIAGE

31.5 in (800 mm) steel shoes, triple semi-
grouser
Full overlap turntable bearing tub
Single track chain guides
Hydraulic track adjustment
X-pattern carbody

DOZER BLADE

Blade Width	10 ft 6 in (3 200 mm)
Blade Height	2 ft 0 in (610 mm)
Max lift above ground	1 ft 7 in (490 mm)
Max drop below ground	1 ft 3 in (390 mm)

ATTACHMENTS

Boom – 18 ft 8 in (5.70 m)
Arm – 9 ft 8 in (2.94 m)
Heavy-duty bucket linkage
Boom mounted work light – 70 watt
Auxiliary pipe brackets
Centralized grease fittings
Attachment cushion valve
Arm and boom regeneration

TELEMATICS

CASE SiteWatch™ Telematics – includes
hardware and a 3-yr Advanced
data subscription

OPTIONAL EQUIPMENT

OPERATOR ENVIRONMENT

FOPS cab top guard – Level 2
 Front grill guard – 2 x 2 screen mesh
 Front rock guard:
 Vertical bars – two piece/OPG 1
 Front rock guard:
 Vertical bars – fixed/one piece/OPG 2
 Vandal guard
 Rain deflector
 Sun visor
 Side-view camera
 CASE MaxView Monitor
 LED work lights

HYDRAULICS

Auxiliary hydraulics:
 Single acting/joystick activated
 Double acting/joystick activated
 Multi-function/joystick activated
 Secondary low-flow/joystick activated

MACHINE CONTROL

Leica iCON iXE2 – 2D System
 Leica iCON iXE3 – 3D System

UNDERCARRIAGE

23.6 in (600 mm) rubber shoes
 23.6 in (600 mm) steel shoes, triple semi-grouser
 27.6 in (700 mm) steel shoes, triple semi-grouser

ATTACHMENTS

Arm – 7 ft 10 in (2.40 m)
 Coupler/Case multi-pin grabber
 Buckets:
 Heavy-duty
 Extreme-duty
 Hose Burst Check Valve – HBCV

BUCKETS

Application	Width	SAE Heaped Capacity
Heavy-duty	24 in (0.61 m) to 54 in (1.37 m)	0.65 yd ³ (0.50 m ³) to 1.60 yd ³ (1.22 m ³)
Heavy-duty Hi Capacity	24 in (0.61 m) to 54 in (1.37 m)	0.79 yd ³ (0.60 m ³) to 1.96 yd ³ (1.50 m ³)
Severe-duty	24 in (0.61 m) to 48 in (1.22 m)	0.65 yd ³ (0.50 m ³) to 1.41 yd ³ (1.08 m ³)
Heavy-duty coupler	24 in (0.61 m) to 54 in (1.37 m)	0.63 yd ³ (0.48 m ³) to 1.60 yd ³ (1.22 m ³)
Ditching	60 in (1.52 m) to 72 in (1.83 m)	1.02 yd ³ (0.78 m ³) to 1.22 yd ³ (0.93 m ³)

CaseCE.com

©2021 CNH Industrial America LLC. All rights reserved. CASE is a trademark registered in the United States and many other countries, owned by or licensed to CNH Industrial N.V., its subsidiaries or affiliates. CNH Industrial Capital is a trademark in the United States and many other countries, owned by or licensed to CNH Industrial N.V., its subsidiaries or affiliates. Printed in U.S.A. Contains 10% post-consumer fiber.

IMPORTANT: CASE Construction Equipment Inc. reserves the right to change these specifications without notice and without incurring any obligation relating to such change. Availability of some models and equipment builds vary according to the country in which the equipment is used. The illustrations and text may include optional equipment and accessories and may not include all standard equipment. Your CASE dealer/distributor will be able to give you details of the products and their specifications available in your area.



CASE Construction Equipment is biodiesel-friendly. NOTE: All engines meet current EPA emissions regulations. All specifications are stated in accordance with SAE Standards or Recommended Practices, where applicable.



Always read the Operator's Manual before operating any equipment. Inspect equipment before using it, and be sure it is operating properly. Follow the product safety signs and use any safety features provided.

Form No. CCE202106CX245DSRDB
 Replaces Form No. CCE201710CX245DSRDB

CX245D SR DB